



MODULAR ICE MAKER
MACHINE A GLACE MODULAIRE
EISBEREITER FÜR SEPARATEN VORRATSBEHÄLTER
IJSMACHINE MET LOSSE OPSLAGBUNKER
MAQUINA DE CUBITOS MODULAR
FABBRICATORE MODULARE DI GHIACCIO

INSTALLATION MANUAL NOTICE D'INSTALLATION INSTALLATIONSANLEITUNG INSTALLATIE VOORSCHRIFT MANUAL DE INSTALACION MANUALE PER L'INSTALLAZIONE



FM-480AKE

FOR QUALIFIED INSTALLER ONLY
RESERVE A L'INSTALLATEUR
FÜR DEN INSTALLATEUR
VOOR DE BEVOEGDE INSTALLATEUR
SOLAMENTE PARA INSTALADOR CUALIFICADO
SOLTANTO PER INSTALLATORI QUALIFICATI

FM-1000AKE
FM-1000AKE-N
FM-750AKE
FM-750AKE-N
FM-600AKE
FM-600AKE-N
FM-600AWKE
FM-600AWKE-N
FM-480AKE
FM-480AKE-N
FM-480AWKE
FM-480AWKE-N
FM-300AKE
FM-300AKE-N
FM-170AKE
FM-170AKE-N

ENGLISH	IMPORTANT SAFETY INFORMATION	1
	1. CONSTRUCTION	2
	2. ACCESSORIES	2
	3. UNPACKING	2
	4. LOCATION	3
	5. INSTALLATION	3
	6. ELECTRICAL CONNECTIONS	4
	7. WATER SUPPLY AND DRAIN CONNECTIONS	5
	8. START-UP PROCEDURE	7
	9. FINAL CHECKS	7
FRANCAIS	INFORMATIONS DE SECURITE IMPORTANTES	8
	1. CONSTRUCTION	9
	2. ACCESSOIRES	9
	3. DEBALLAGE	9
	4. EMBLACEMENT	10
	5. INSTALLATION	10
	6. BRANCHEMENTS ELECTRIQUES	11
	7. BRANCHEMENTS D'ARRIVEE ET DE VIDANGE D'EAU	12
	8. PROCEDURE DE MISE EN ROUTE	14
	9. DERNIERS CONTROLES	14
DEUTSCH	WICHTIGE SICHERHEITSHINWEISE	15
	1. KONSTRUKTION	16
	2. ZUBEHÖR	16
	3. AUSPACKEN	16
	4. AUFSTELLORT	17
	5. INSTALLATION	17
	6. ELEKTRISCHE ANSCHLÜSSE	18
	7. WASSERZULAUF- UND WASSERABLAUFANSCHLÜSSE	19
	8. START-VERFAHREN	21
	9. ABSCHLUSSTESTS	21
NEDERLANDS	BELANGRIJKE VEILIGHEIDSINFORMATIE	22
	1. CONSTRUCTIE	23
	2. TOEBEHOREN	23
	3. UITPAKKEN	23
	4. PLAATSING	24
	5. INSTALLATIE	24
	6. ELEKTRISCHE AANSLUITINGEN	25
	7. AANSLUITING VAN WATERTOEVER- EN WATERAFVOERLEIDINGEN	26
	8. OPSTARTPROCEDURE	28
	9. LAATSTE CONTROLES	28
ESPAÑOL	INFORMACIÓN IMPORTANTE DE SEGURIDAD	29
	1. CONSTRUCCIÓN	30
	2. ACCESORIOS	30
	3. DESEMBALAJE	30
	4. UBICACIÓN	31
	5. INSTALACIÓN	31
	6. CONEXIONES ELÉCTRICAS	32
	7. SUMINISTRO DE AGUA Y CONEXIONES DE DRENAJE	33
	8. PROCEDIMIENTO DE PUESTA EN MARCHA	35
	9. COMPROBACIONES FINALES	35
ITALIANO	INFORMAZIONI IMPORTANTI SULLA SICUREZZA	36
	1. COMPONENTI	37
	2. ACCESSORI	37
	3. DISIMBALLAGGIO	37
	4. UBICAZIONE	38
	5. INSTALLAZIONE	38
	6. COLLEGAMENTI ELETTRICI	39
	7. COLLEGAMENTO DI ALIMENTAZIONE DELL'ACQUA E COLLEGAMENTO DI SCARICO	40
	8. PROCEDURA DI AVVIO	42
	9. CONTROLLI FINALI	42

IMPORTANT SAFETY INFORMATION

Throughout this manual, notices appear to bring your attention to situations which could result in death, serious injury, or damage to the unit.

▲WARNING	Indicates a hazardous situation which, if not avoided, could result in death or serious injury.
▲CAUTION	Indicates a hazardous situation which, if not avoided, could result in minor or moderate injury.
NOTICE	Indicates a hazardous situation which, if not avoided, could result in damage to the unit.
▲HYGIENE	Indicates important precautions for hygiene and food safety.
IMPORTANT	Indicates important information about the use and care of the unit.

IMPORTANT

In order to carry out safe and proper installation of the product, please read this booklet carefully beforehand and follow the instructions contained within.

On completion of the installation, start up the icemaker to check for any abnormalities. Instruct the user on how to use and maintain the icemaker in accordance with the instruction manual.

This booklet should be handed over to the user after the installation and be preserved by the user together with the instruction manual for any further consultation that may be necessary.

▲WARNING

This is a commercial icemaker, and should be destined only to be used for the purpose for which it has been expressly designed and attached to a suitable storage bin as specified by Hoshizaki.

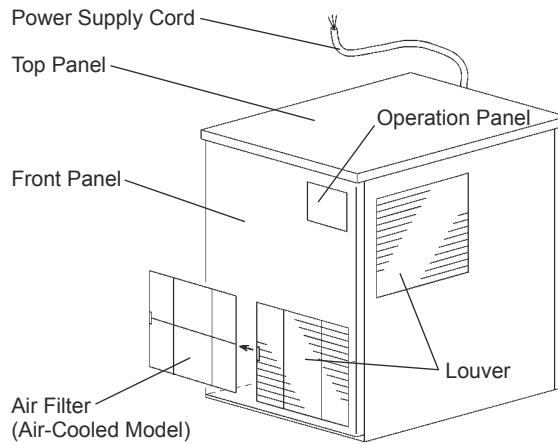
Any other use should be considered improper and therefore dangerous. The manufacturer will not be held liable or responsible for any damage caused by improper, incorrect and unreasonable use.

The installation, and relocation if necessary, must be carried out by qualified personnel, in accordance with current regulations, according to the manufacturer's instructions.

Keep ventilation openings, in the appliance enclosure or in the built-in structure, clear of obstruction.

ENGLISH

1. CONSTRUCTION



2. ACCESSORIES

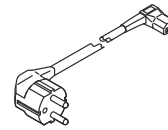
	Air-cooled	Water-cooled
CD	1	1
Mounting Bracket	2	2
Power Supply Cord	1	1
Inlet Hose	1	1
Outlet Hose	1	1
1/2-3/4 Nipple	-	1
3/8-3/4 Nipple	-	1
Connector Cover	1	1



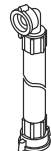
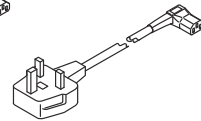
CD



Mounting Bracket



Power Supply Cord



Inlet Hose



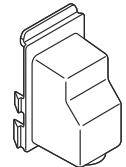
Outlet Hose



1/2-3/4 Nipple



3/8-3/4 Nipple



Connector Cover

3. UNPACKING

⚠ WARNING

Children should not be allowed in reach of the packaging elements (plastic bags and expanded polystyrene) as they are potential sources of danger.

⚠ CAUTION

Do not lift or manoeuvre the carton by using the shipping bands.

When moving the unit by hand, remove the panels and hold the unit frame.

Always wear protective gloves when carrying the unit.

When handling the carton or the unpacked unit, work in pair to prevent injury.

NOTICE

Remove shipping carton, tape(s) and packing. If packing material is left in the icemaker, it will not work properly.

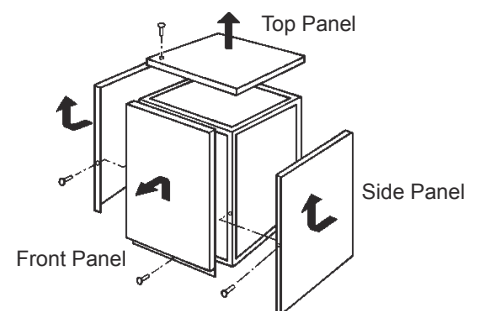
This icemaker needs a storage bin. The recommended storage bin is HOSHIZAKI ICE STORAGE BIN, Model B-300SD(PD) or B-500SD(PD) with top kit - 8C, B-700SD(PD) with top kit - 22C, or B-900SD(PD) with top kit - 22C and top kit -8C.

1) After removing the packaging, make sure that the icemaker and the storage bin are in good condition. If in doubt, please do not use the icemaker but apply to professionally qualified personnel. See the instruction sheet attached to the storage bin for its unpacking and installation guidelines.

2) Remove the shipping tape holding panels.

3) Remove the front, top, and side panels.

4) Remove the package of accessories. Check the contents according to "2. ACCESSORIES".



- Top Panel: Remove the screw. Lift off.
- Front Panel: Remove the screw. Lift up and pull toward you.
- Side Panel: Remove the screws. Pull slightly toward you.

- 5) Remove the protective plastic film from the panels. If the icemaker is exposed to the sun or to heat, remove the film after the icemaker cools.

4. LOCATION

⚠ WARNING

This icemaker is not intended for outdoor use.

The icemaker should not be located next to ovens, grills or other high heat producing equipment.

This appliance is not suitable for installation in an area where a water jet could be used.

⚠ CAUTION

The location should provide a firm and level foundation for the icemaker.

NOTICE

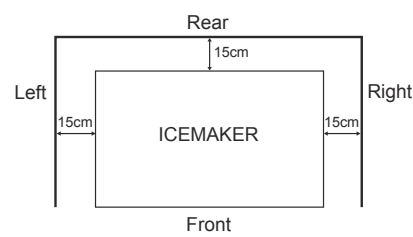
Do not place anything on top of the icemaker or in front of the louver.

IMPORTANT

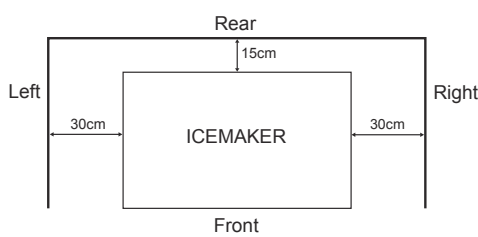
Normal operating ambient temperature should be within 5°C to 40°C. Water connection is cold water only. Operation of the icemaker, for extended periods, outside of these normal temperature ranges may affect production capacity.

Allow the clearance specified below for proper air circulation and ease of maintenance and/or service should they be required.

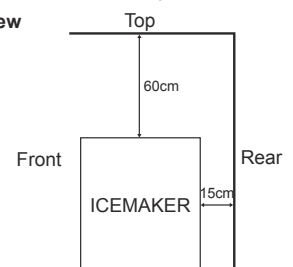
Top View (except FM-600AKE)



Top View (FM-600AKE only)



Side View



In some high humidity environments, condensation may form inside the machine and drip onto the floor. Do not install where the floor can be affected by water.

5. INSTALLATION

⚠ CAUTION

Incorrect installation can cause harm to people, animals or other items, for which the manufacturer cannot be held responsible.

- 1) Fully screw in the four legs provided (bin accessory) into the storage bin underside.

- 2) Position the storage bin in the selected permanent side.

[Except FM-170]

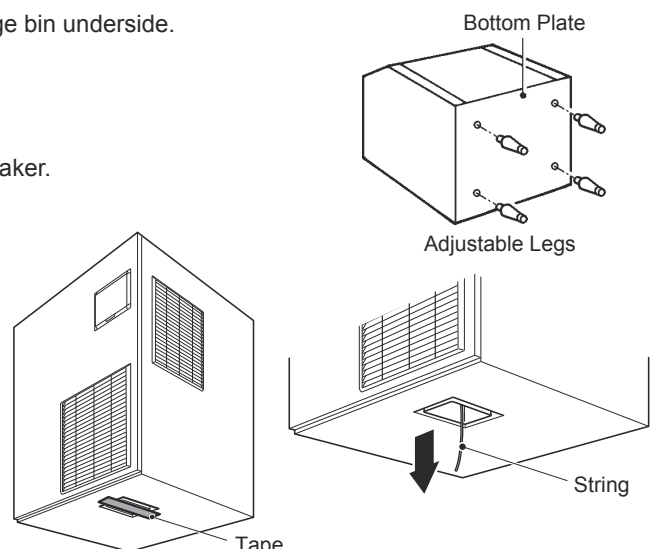
- 3) Remove the tape from the chute opening at the bottom of the icemaker.

[Except FM-170]

- 4) Pull down the end of the string coming out of the chute opening to remove the cushion.

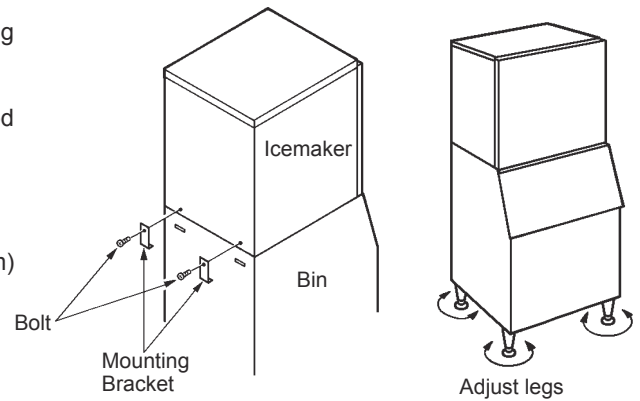
Note: If the power supply is turned on with the cushion left inside, the icemaker will not start showing "BIN FULL" in the display.

- 5) Place the icemaker on top of the storage bin by holding the bottom.



ENGLISH

- 6) Secure the icemaker to the storage bin, by using the two mounting brackets and two bolts provided.
- 7) Seal the seam between the icemaker and the storage bin with food grade sealant.
- 8) Refit the side panels in their correct position.
- 9) Adjust the four legs on the bottom (adjustable from 0 to 25.4 mm) to have the icemaker perfectly horizontal. Use the spirit level.



6. ELECTRICAL CONNECTIONS

⚠ WARNING

THIS APPLIANCE MUST BE EARTHED

This icemaker requires an earth that meets the national and local electrical code requirements.

To prevent possible severe electrical shock to individuals or extensive damage to the unit, install a proper earth wire to the icemaker.

Disconnect the main power supply before any maintenance, repairs or cleaning is undertaken.

- * This appliance requires a separate 220 - 240VAC, 17A (FM-1000, 600) / 12A (FM-750, 480) / 8A (FM-300) / 7A (FM-170) supply. The electrical supply must be protected by a suitable circuit breaker.
- * Usually an electrical permit and services of a licensed electrician are required.

[FM-1000, 600]

- * If the supply cord and/or the plug should need to be replaced, it should only be done by a qualified service engineer.
- * The fixed wiring must incorporate a means for disconnection from the supply having a contact separation of at least 3 mm in all poles.

[FM-750, 480, 300, 170]

- * If the supply cord is damaged, it must be replaced by a replacement cord available from Hoshizaki Parts/Service Centres.

For the U.K. and the Republic of Ireland only

- * The wires in the mains lead are coloured in accordance with the following code:
 - Green & Yellow = Earth
 - Blue = Neutral
 - Brown = Live

As the colours of the wire in the mains lead of this appliance may not correspond with the coloured markings identifying the terminals in your plug, proceed as follows:

The wire which is coloured Green-and-Yellow must be connected to the terminal in the plug which is marked with the letter E or by the symbol \perp or coloured Green or Green-and-Yellow. The wire which is coloured Blue must be connected to the terminal which is marked with the letter N or coloured Black. The wire which is coloured Brown must be connected to the terminal which is marked with the letter L or coloured Red.

- * Should the socket outlets in the installation site not be suitable for the plug supplied with your product, the plug must be removed (cut off if it is moulded on plug) and an appropriate plug fitted.

If the non-rewirable plug has been cut from the power supply cord, it must be disposed of. There should be no attempt to reuse it. Inserting such a plug into a socket elsewhere presents a serious risk of electrical shock.

- * The non-rewirable plug must never be used without a fuse cover being fitted.

The correct replacement for the detachable fuse cover is identifiable from the manufacturer's reference number stamped on the plug.

Supply of replacement fuse covers can be obtained from Hoshizaki Parts/Service Centres.

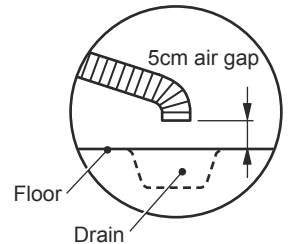
Fuses should be rated at 12A and approved to BS 1362.

7. WATER SUPPLY AND DRAIN CONNECTIONS

⚠ WARNING

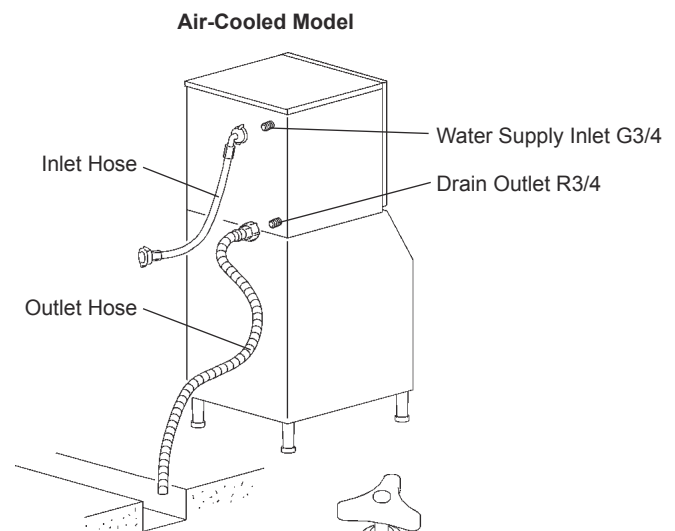
Connect to potable cold water supply only.

- * The connections to the mains water supply must be made in accordance with the countries' current requirements of the Water Supply or Water Fittings Regulations.
- * Icemaking water must be potable water. Where scaling can be caused by water quality, installation of an external filter or softener is recommended. Contact your local water treatment professional or Hoshizaki service agent.
- * Water supply pressure should be minimum 0.05 MPa (0.5 bar) and maximum 0.8 MPa (8 bar). If the pressure exceeds 0.8 MPa (8 bar), use a proper pressure reducing valve. Do **NOT** throttle back the supply tap.
- * A plumbing permit and services of a licensed plumber may be required in some areas.
- * The icemaker drain is gravity flow, so ensure drain hose has an adequate pitch or fall.
- * Drain lines should not be installed directly to the sewer system. A vertical air gap of a minimum of 5 cm should be between the end of the drain hoses from the icemaker and storage bin and the floor drain.
- * On water-cooled model, a back flow preventer may be required in the cooling water circuit.
- * Be sure to use the new hose-sets supplied with the appliance. Do not reuse any old hose-sets.



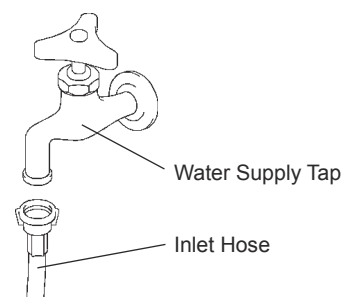
[Air-Cooled Model]

- 1) Attach the angled end of flexible inlet hose (accessory) to the G3/4 fitting on the rear of the icemaker as indicated, ensuring rubber sealing washer is correctly positioned. Hand tighten sufficiently to provide leak free joint.
- 2) Attach the other end of inlet hose to the water tap, noting washer is correctly positioned before hand tightening as above. It is a wise precaution to have a stop valve within easy reach.
- 3) Hand tighten grey flexible outlet hose (accessory) onto the R3/4 fitting on the rear of the icemaker as indicated, ensuring rubber washer is correctly positioned to obtain a leak free joint. The hose can be cut to length as necessary to suit position of main drain.



[Water-Cooled Model]

- * Hoshizaki recommends that the water-cooled condenser should be connected to a closed circuit recirculating type cooling system utilizing a tower, water chiller or similar. Water make up should be via a ball valve/break tank arrangement.
- * Whilst connecting a water-cooled condenser to a mains water (potable) supply will not affect the performance of the machine, it will most certainly cause a high use/waste of a valuable resource and is not recommended.



- * The services of a licensed or coded plumber should be used to ensure a correct installation.
- * The connections should be made properly in compliance with the applicable national or local regulations.

[a] Standard connections according to WRAS regulations in U.K.

- * When selecting a cooling tower, refer to the following peak values of heat flow in the condenser:

Model FM-600AWKE(-N):	3797 W
FM-480AWKE(-N):	3325 W

ENGLISH

* Pipes between the cooling tower and the icemaker should be at least 20 mm DIA to reduce pressure loss, even though the icemaker fittings are 13 mm DIA.

* Pressure loss in the water circuit inside the unit will be 5 to 6 m when the cooling water flows at the ratio of 4 to 5 lit/min.

* Select a circulating pump referring to the above values of heat flow.

[Icemaker Connections]

1) Attach the angled end of flexible inlet hose (accessory) to the G3/4 fitting on the rear of the icemaker as indicated, ensuring rubber sealing washer is correctly positioned. Hand tighten sufficiently to provide leak free joint.

2) Attach the other end of inlet hose to the water tap, noting washer is correctly positioned before hand tightening as above.

Note: If filtration or treatment is used, ensure icemaker section only is on treated water supply, not the condenser.

3) Attach grey flexible outlet hose (accessory) to the R3/4 fitting on the rear of the icemaker as indicated, confirming fitment of rubber washer before finally hand tightening the joint. The hose can be cut to length as necessary to suit position of main drain.

4) By means of a suitable spanner or wrench, tighten the 1/2-3/4 and 3/8-3/4 nipples (accessory) into the Rc1/2 and Rc3/8 fittings on the rear of the icemaker as indicated. P.T.F.E. tape and/or a suitable sealing compound should be used to obtain a leak free joint.

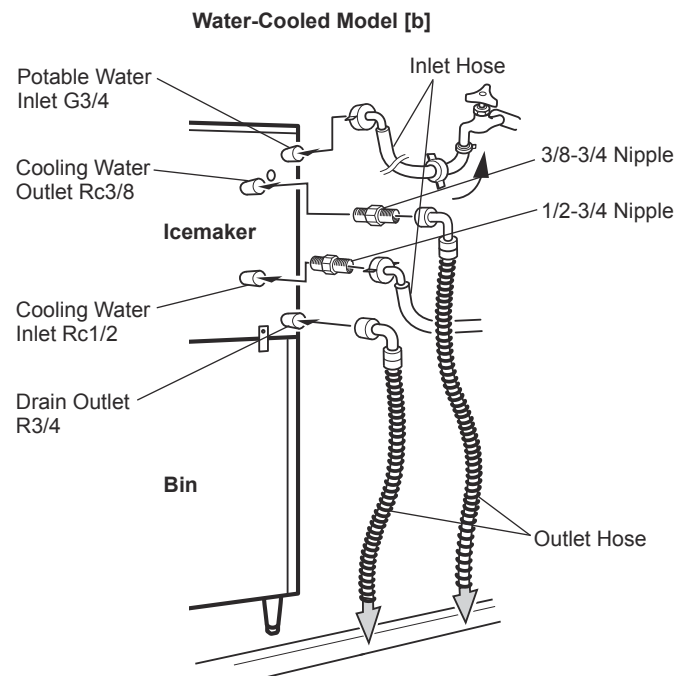
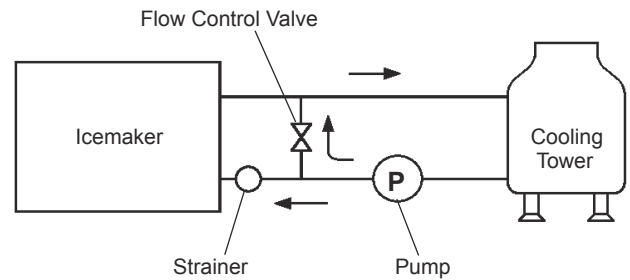
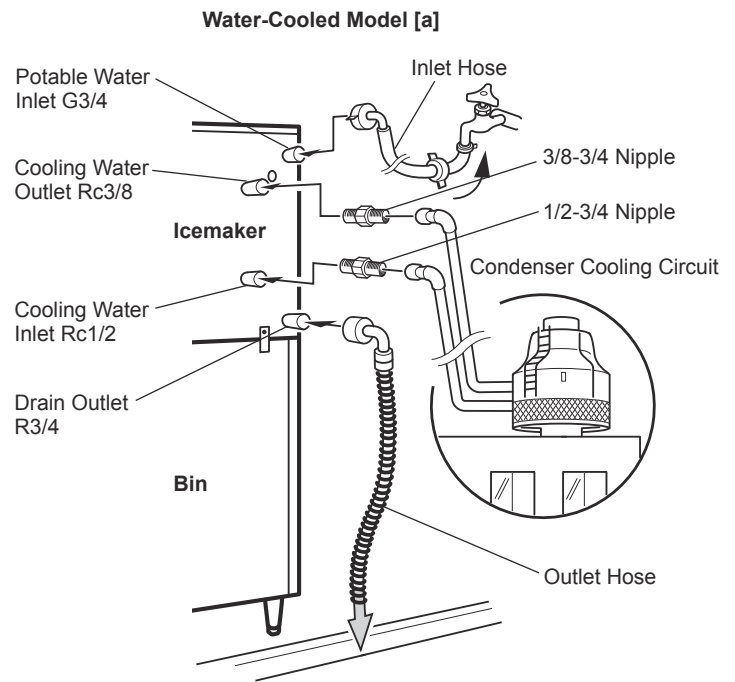
Note: Jointing compounds should be approved and suitable for potable water use.

5) Connect the condenser cooling circuit to the free end of 1/2-3/4 and 3/8-3/4 nipples as indicated using a suitable rigid type pipe.

[b] Connections according to regulations other than WRAS by utilising accessory hoses

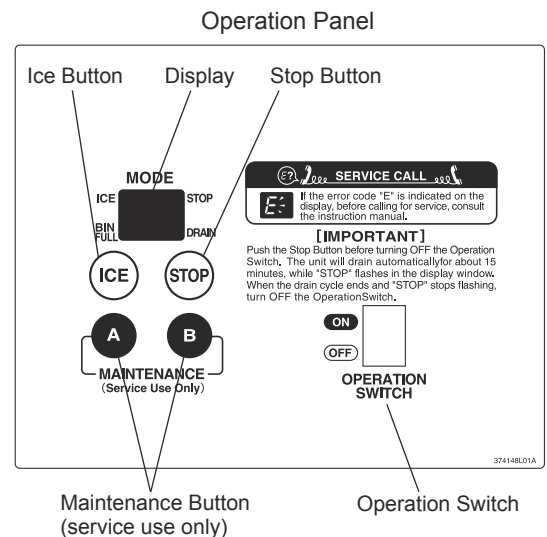
1) Follow the instructions from 1) to 4) in [a] above.

2) For condenser connections, use supplied accessory hoses and make the same connections as 1) to 3) in [a] above to the free end of 1/2-3/4 and 3/8-3/4 nipples as indicated.



8. START-UP PROCEDURE

- 1) Check that the power supply cord is disconnected.
- 2) Move the operation switch on the operation panel to the "ON" position.
- 3) Open the water supply tap.
- 4) Connect the power supply and energise.
- 5) The display will illuminate in the "ICE" mode.
- 6) The following should occur in sequence:
 - a) Water reservoir will fill.
 - b) Gear motor will start.
 - c) Compressor will start.



HYGIENE

Check the conditions and quality of the ice production.

Do not use ice produced in the trial run. It might be contaminated with foreign matter in the water circuit. Discard or flush down the drain.

Clean the storage bin before use (see "III. 1. CLEANING" in instruction manual).

9. FINAL CHECKS

- 1) Check for correct supply voltage.
- 2) Check that the icemaker is properly earthed.
- 3) Check that the icemaker is free from vibration.
- 4) Check that all the panels are fixed and secure.
- 5) Check for proper operation according to "8. START-UP PROCEDURE".
- 6) Check the water supply and drain connections for water leaks.
- 7) Instruct the user on correct machine use. Hand the instruction manual to the user.

INFORMATIONS DE SECURITE IMPORTANTES

Tout au long de ce manuel, des avis attirent votre attention sur des situations qui pourraient entraîner la mort, des blessures graves ou des dégâts à l'appareil.

▲AVERTISSEMENT	Signale une situation dangereuse qui, si elle n'est pas évitée, peut entraîner des blessures graves voire mortelles.
▲ATTENTION	Signale une situation dangereuse qui, si elle n'est pas évitée, peut entraîner des blessures mineures ou modérées.
AVIS	Signale une situation dangereuse qui, si elle n'est pas évitée, peut entraîner des dégâts à l'appareil.
▲HYGIENE	Signale des précautions importantes à prendre en matière d'hygiène et de sécurité alimentaire.
IMPORTANT	Signale des informations importantes sur l'utilisation de l'appareil et son entretien.

IMPORTANT

Afin d'installer correctement le produit avec toutes les garanties de sécurité, veuillez d'abord lire attentivement cette notice et suivez soigneusement les instructions.

A la fin de l'installation, mettre la machine à glace en service pour vérifier l'absence d'anomalies. Indiquer à l'utilisateur comment utiliser et entretenir la machine à glace conformément à la notice d'utilisation.

Cette notice doit être remise à l'utilisateur après l'installation et conservée par ce dernier avec la Notice d'utilisation pour consultation ultérieure éventuelle.

▲AVERTISSEMENT

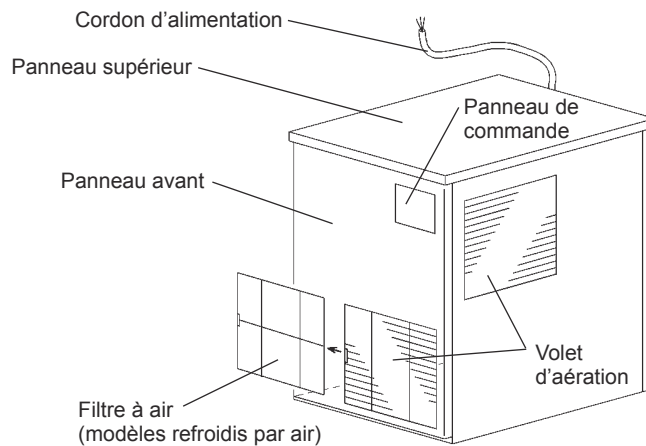
Cette machine à glace a été conçue pour des applications commerciales ; elle ne peut être utilisée qu'aux fins auxquelles elle est expressément destinée, et fournie avec un bac de stockage adapté tel que spécifié par Hoshizaki.

Toute autre utilisation doit être considérée comme inappropriée et donc dangereuse. Le fabricant décline toute responsabilité pour les dégâts provoqués par une utilisation inappropriée, incorrecte et abusive.

L'installation, et le transfert le cas échéant, doivent être effectués par un personnel qualifié, conformément aux réglementations en vigueur et aux consignes du fabricant.

Veillez à ce que les ouvertures de ventilation de l'enceinte de l'appareil et de la structure intégrée ne soient pas obstruées.

1. CONSTRUCTION



2. ACCESSOIRES

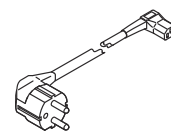
	Refroidi par air	Refroidi par eau
CD	1	1
Support de fixation	2	2
Cordon d'alimentation	1	1
Flexible d'arrivée	1	1
Tuyau de sortie	1	1
Mamelon 1/2-3/4	-	1
Mamelon 3/8-3/4	-	1
Capot de connecteur	1	1



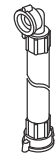
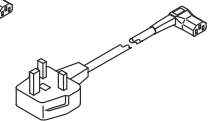
CD



Support de fixation



Cordon d'alimentation



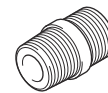
Flexible d'arrivée



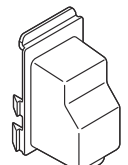
Tuyau de sortie



Mamelon 1/2-3/4



Mamelon 3/8-3/4



Capot de connecteur

3. DEBALLAGE

⚠ AVERTISSEMENT

Les enfants doivent être tenus à l'écart des éléments d'emballage (sacs en plastique et polystyrène expansé) car ils constituent des sources de danger potentielles.

⚠ ATTENTION

Ne pas soulever ou déplacer le carton en utilisant les sangles d'emballage.

En cas de déplacement de l'appareil à la main, retirer les panneaux et tenir le châssis de l'appareil.

Toujours porter des gants de protection lors du transport de l'appareil.

Lors de la manipulation du carton ou de l'appareil déballé, travailler à deux pour éviter les blessures.

AVIS

Enlever le carton de transport, le ruban adhésif et le matériel d'emballage. S'il reste des matériaux d'emballage dans la machine à glace, elle ne fonctionnera pas correctement.

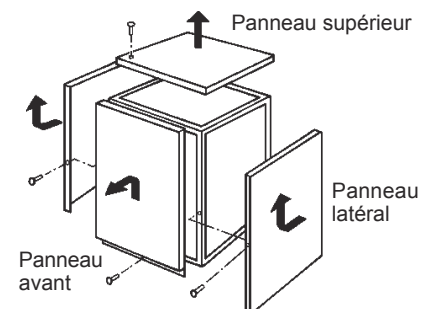
Cette machine à glace doit être équipée d'un bac de stockage. Le bac de stockage recommandé est le HOSHIZAKI ICE STORAGE BIN, modèle B-300SD(PD) ou B-500SD(PD) avec le kit supérieur - 8C, B-700SD(PD) avec le kit supérieur - 22C, ou B-900SD(PD) avec le kit supérieur - 22C et le kit supérieur - 8C.

1) Après avoir enlevé les matériaux d'emballage, vérifier que la machine à glace et le bac de stockage sont en bon état. En cas de doute, ne pas utiliser la machine à glace et faire appel à un technicien qualifié. Voir les instructions de déballage et d'installation de la machine qui sont fixées au bac de stockage.

2) Retirer le ruban d'emballage retenant les panneaux.

3) Retirer les panneaux avant, supérieur et latéraux.

4) Retirer le paquet d'accessoires. Vérifier le contenu conformément à la section « 2. ACCESSOIRES ».



Panneau supérieur : Déposer la vis. Soulever.

Panneau avant : Déposer la vis. Soulever et tirer vers soi.

Panneau latéral : Déposer les vis. Tirer légèrement vers soi.

FRANCAIS

5) Enlever le film protecteur en plastique des panneaux. Si la machine à glace a été exposée au soleil ou à la chaleur, la laisser refroidir avant d'enlever le film.

4. EMLACEMENT

⚠ AVERTISSEMENT

Cette machine à glace n'est pas conçue pour être utilisée à l'extérieur.

La machine à glace ne doit pas être placée à proximité de fours, de grills ou de toute autre source de chaleur importante.

Cet appareil n'est pas conçu pour être installé dans une zone où un jet d'eau peut être utilisé.

⚠ ATTENTION

La machine à glace doit avoir une assise solide et horizontale.

AVIS

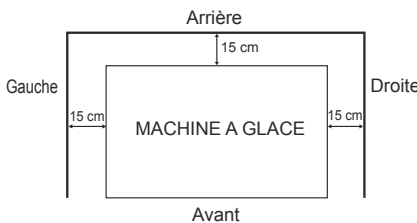
Ne rien poser sur le dessus de la machine ni devant le volet d'aération.

IMPORTANT

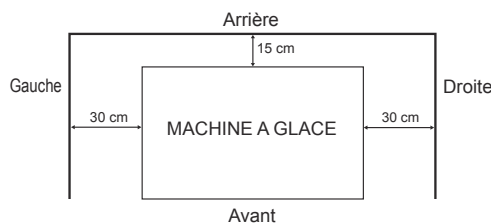
La température ambiante normale de service doit être comprise entre 5 °C et 40 °C. Le raccordement à l'eau est uniquement pour de l'eau froide. Le fonctionnement de la machine en dehors de ces plages de températures, pendant des durées prolongées, risque d'affecter la capacité de production de glaçons.

Pour assurer une bonne circulation d'air et faciliter les opérations de maintenance ou d'entretien, prévoir le dégagement indiqué ci-dessous.

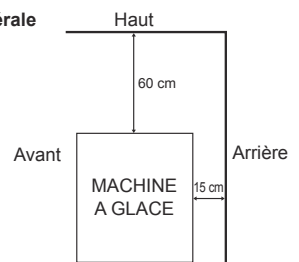
Vue du dessus (sauf FM-600AKE)



Vue du dessus (FM-600AKE uniquement)



Vue latérale



Dans certains environnements très humides, de la condensation peut se former à l'intérieur de la machine et couler sur le sol. Ne pas installer l'appareil sur un sol que l'eau pourrait endommager.

5. INSTALLATION

⚠ ATTENTION

Une installation incorrecte de la machine peut avoir des conséquences néfastes sur les personnes, les animaux ou d'autres choses, pour lesquelles le fabricant ne peut être tenu responsable.

1) Visser à fond les quatre pieds fournis (accessoires du bac) au dessous du bac de stockage.

2) Placer le bac de stockage sur le côté choisi pour son installation.

[Sauf FM-170]

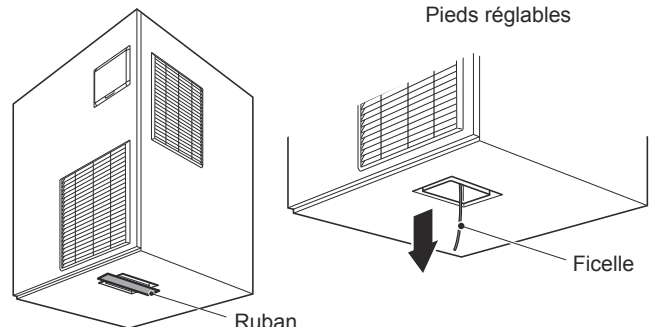
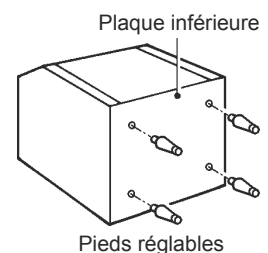
3) Retirer le ruban de l'ouverture de goutte située sur la partie inférieure de la machine à glace.

[Sauf FM-170]

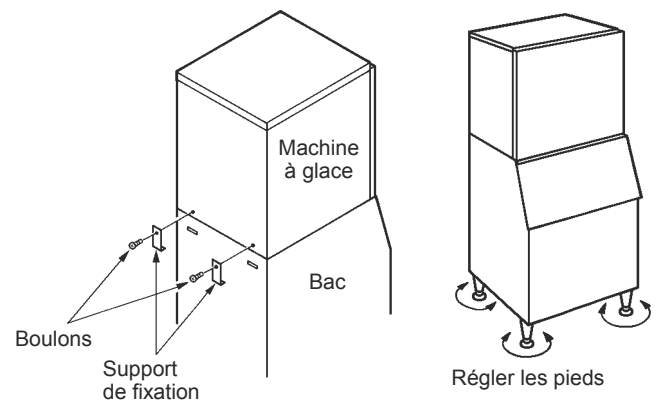
4) Tirer vers le bas l'extrémité de la ficelle sortant de l'ouverture de goutte, afin de retirer le tampon amortisseur.

Remarque : Si la machine est mise sous tension alors que le tampon amortisseur se trouve encore à l'intérieur, la machine à glace ne démarre pas, et « BAC PLEIN » s'affiche à l'écran.

5) Placer la machine à glace au-dessus du bac de stockage en tenant sa partie inférieure.



- 6) Fixer la machine à glace sur le bac de stockage au moyen des deux supports de fixation et des deux boulons fournis.
- 7) Sceller le joint entre la machine à glace et le bac de stockage au moyen d'un mastic d'étanchéité répondant aux normes de l'industrie alimentaire.
- 8) Remettre les panneaux latéraux dans leur position correcte.
- 9) Régler les quatre pieds du bas (ils sont réglables de 0 à 25,4 mm) pour que la machine à glace soit parfaitement à l'horizontale. Utiliser pour cela le niveau à bulle.



6. BRANCHEMENTS ELECTRIQUES

⚠ AVERTISSEMENT

CET APPAREIL DOIT ETRE MIS A LA TERRE

Cette machine à glace doit avoir une mise à la terre qui respecte les réglementations électriques nationales et locales.

Pour éviter tout risque de décharges électriques graves ou de dégâts importants à l'appareil, installer un câble de mise à la terre approprié sur la machine.

Avant toute opération de maintenance, réparation ou nettoyage, débrancher l'alimentation électrique.

* Cet appareil nécessite une alimentation séparée de 220 - 240 V CA, 17 A (FM-1000, 600) / 12 A (FM-750, 480) / 8 A (FM-300) / 7 A (FM-170). L'alimentation électrique doit être protégée par un disjoncteur approprié.

* En général, l'installation nécessite une autorisation pour travaux électriques et les services d'un électricien qualifié.

[FM-1000, 600]

* Si le cordon et/ou la fiche d'alimentation électrique sont à remplacer, l'opération doit être effectuée par un technicien qualifié.

* Le câblage fixe doit comprendre un moyen de débranchement à partir de l'alimentation, avec une séparation de contact d'au moins 3 mm sur tous les pôles.

[FM-750, 480, 300, 170]

* Si le cordon d'alimentation est endommagé, il doit être remplacé par un cordon de rechange disponible auprès des centres de pièces détachées et d'entretien Hoshizaki.

Pour le Royaume-Uni et la République d'Irlande uniquement

- * Les fils du cordon d'alimentation électrique présentent le codage couleur suivant :
Vert et jaune = Terre
Bleu = Neutre
Marron = Sous tension

La couleur des conducteurs du cordon d'alimentation de cet appareil peut ne pas correspondre au marquage couleur des bornes de votre fiche ; dans ce cas, procéder comme suit :

Le fil vert et jaune doit être relié à la borne de la fiche repérée par la lettre E ou par le symbole \equiv ou la couleur verte ou verte et jaune. Le conducteur bleu doit être raccordé à la borne portant la lettre N ou de couleur noire. Le conducteur marron doit être raccordé à la borne portant la lettre L ou de couleur rouge.

- * Si la fiche livrée avec la machine ne convient pas aux prises du local d'installation, l'enlever (la couper s'il s'agit d'une fiche moulée) et en monter une autre.

Une fiche non recâblable enlevée doit être jetée. Elle ne peut en aucun cas être réutilisée. L'insertion de ce type de fiche dans une autre prise présente des risques graves de décharges électriques.

- * La fiche non recâblable ne doit jamais être utilisée sans un protège-fusible.

Le numéro de référence du protège-fusible amovible est imprimé sur la fiche. Utiliser cette référence pour toute commande de pièce.

Il est possible de se procurer des protège-fusibles de remplacement auprès des centres de pièces détachées et d'entretien Hoshizaki.

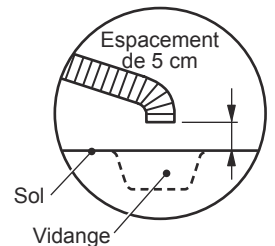
La capacité nominale des fusibles doit être de 12 A ; ils doivent être agréés selon la norme BS 1362.

7. BRANCHEMENTS D'ARRIVEE ET DE VIDANGE D'EAU

⚠ AVERTISSEMENT

Raccorder à l'arrivée d'eau potable froide uniquement.

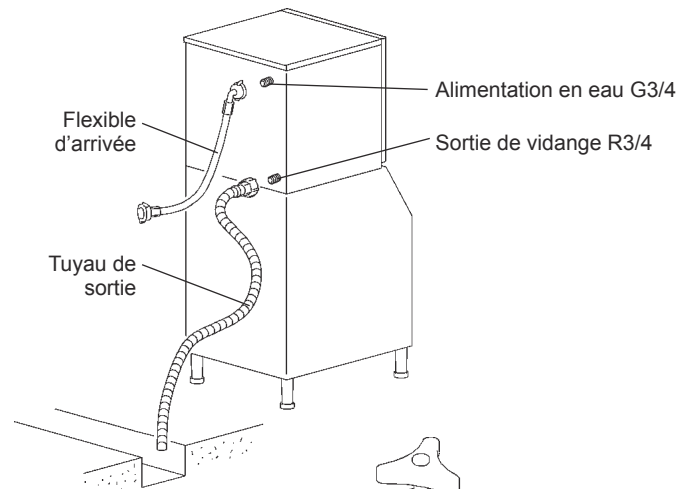
- * Les raccordements à l'alimentation en eau du réseau doivent être réalisés conformément aux exigences nationales en vigueur des réglementations sur l'alimentation en eau ou les raccords.
- * L'eau utilisée pour la fabrication de la glace doit être potable. Là où la qualité de l'eau peut entraîner la formation de calcaire, l'installation d'un filtre externe ou d'un adoucisseur est recommandée. Contactez le professionnel du traitement de l'eau ou l'agent de service Hoshizaki local.
- * La pression de l'alimentation en eau doit être de 0,05 MPa (0,5 bar) au minimum et de 0,8 MPa (8 bar) au maximum. Si la pression dépasse 0,8 MPa (8 bar), utiliser un réducteur de pression approprié. Ne PAS réduire le débit du robinet d'alimentation.
- * Dans certaines régions, il est possible qu'il faille obtenir une autorisation pour effectuer les travaux de plomberie et avoir recours aux services d'un plombier autorisé.
- * La vidange d'eau de la machine à glace s'effectue par gravité : le tuyau de vidange doit donc avoir une inclinaison ou une hauteur de chute suffisantes.
- * Les tuyaux de vidange ne doivent pas être reliés directement à l'égout. L'extrémité des tuyaux de vidange de la machine à glace doit être espacée d'au moins 5 cm à la verticale par rapport au bac de stockage et à l'évacuation de sol.
- * Sur les modèles avec refroidissement par eau, la pose d'un clapet anti-refoulement peut être nécessaire dans le circuit d'eau de refroidissement.
- * Veiller à utiliser les jeux de tuyaux neufs fournis avec l'appareil. Ne pas réutiliser les anciens jeux de tuyaux.



[Modèle avec refroidissement par air]

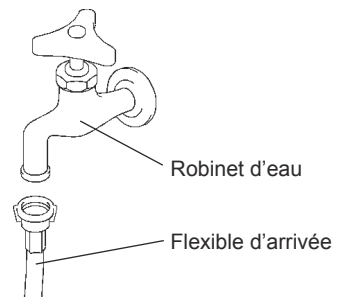
- 1) Raccorder l'extrémité coudée du tuyau d'arrivée d'eau (accessoire) au raccord G3/4 à l'arrière de la machine à glace comme indiqué en veillant à placer correctement la rondelle d'étanchéité en caoutchouc. Serrer manuellement de manière à obtenir un raccordement étanche.
- 2) Fixer l'autre extrémité du flexible d'arrivée au robinet d'eau, en veillant à ce que la rondelle soit correctement positionnée, avant de serrer manuellement comme ci-dessus. Il est prudent d'avoir un robinet d'arrêt à proximité.
- 3) Serrer à la main le tuyau de vidange gris (accessoire) au raccord R3/4 à l'arrière de la machine à glace comme indiqué en veillant à placer correctement la rondelle d'étanchéité en caoutchouc pour obtenir un joint étanche. Le tuyau peut être coupé à la longueur voulue en fonction de la position de vidange principale.

Modèle avec refroidissement par air



[Modèle avec refroidissement par eau]

- * Hoshizaki recommande de raccorder le condenseur refroidi par eau à un système de refroidissement du type à circuit fermé de recyclage comportant une tour, un refroidisseur d'eau ou élément assimilé. L'approvisionnement en eau doit se faire au moyen d'une vanne à boulet/d'un réservoir de barrage.
- * Le raccordement d'un condenseur refroidi par eau à une alimentation en eau secteur (potable) n'affecte pas la performance de la machine mais provoque une utilisation/un gaspillage d'eau important que nous ne recommandons pas.
- * Faire appel à un plombier agréé pour s'assurer que l'installation est correcte.
- * Les branchements doivent être effectués en respectant les réglementations nationales ou locales en vigueur.



[a] Branchements standard conformes aux réglementations du WRAS au Royaume-Uni.

* En cas de sélection d'une tour de refroidissement, la sélectionner en tenant compte des valeurs crêtes suivantes relatives au flux thermique du condenseur :

Modèle FM-600AWKE(-N):	3797 W
FM-480AWKE(-N):	3325 W

* Le diamètre minimal des tuyaux entre la tour de refroidissement et la machine à glace doit être de 20 mm afin de réduire la perte de pression même si les raccords de la machine ont un diamètre de 13 mm.

* La perte de pression dans le circuit d'eau à l'intérieur de la machine est de 5 à 6 m lorsque le débit de l'eau de refroidissement est de 4 à 5 l/min.

* Sélectionner une pompe de circulation selon les valeurs de flux thermique indiquées ci-dessus.

[Branchements de la machine à glace]

1) Raccorder l'extrémité coudée du tuyau d'arrivée d'eau (accessoire) au raccord G3/4 à l'arrière de la machine à glace comme indiqué en veillant à placer correctement la rondelle d'étanchéité en caoutchouc. Serrer manuellement de manière à obtenir un raccordement étanche.

2) Fixer l'autre extrémité du flexible d'arrivée au robinet d'eau, en veillant à ce que la rondelle soit correctement positionnée, avant de serrer manuellement comme ci-dessus.

Remarque : En cas de filtrage ou de traitement de l'eau, veiller à ce que seule la section de fabrication de glace soit raccordée à l'alimentation en eau traitée, et non le condenseur.

3) Raccorder le tuyau gris de vidange (accessoire) au raccord R3/4 à l'arrière de la machine à glace comme indiqué, en contrôlant le placement correct de la rondelle d'étanchéité en caoutchouc avant de serrer le joint manuellement. Le tuyau peut être coupé à la longueur voulue en fonction de la position de vidange principale.

4) A l'aide d'une clé adaptée, serrer les mamelons 1/2-3/4 et 3/8-3/4 (accessoire) sur les raccords Rc1/2 et Rc3/8 à l'arrière de la machine à glace comme indiqué. Utiliser du ruban PTFE et/ou du mastic d'étanchéité adéquat pour former un joint étanche.

Remarque : Les produits d'étanchéité pour joints doivent être approuvés et adaptés à une utilisation avec de l'eau potable.

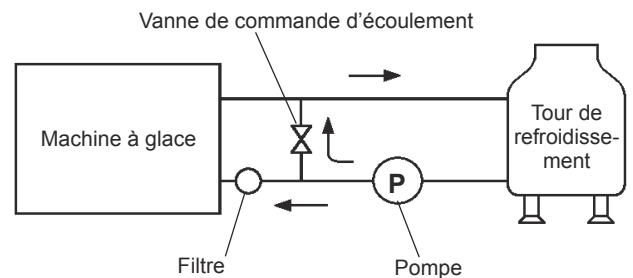
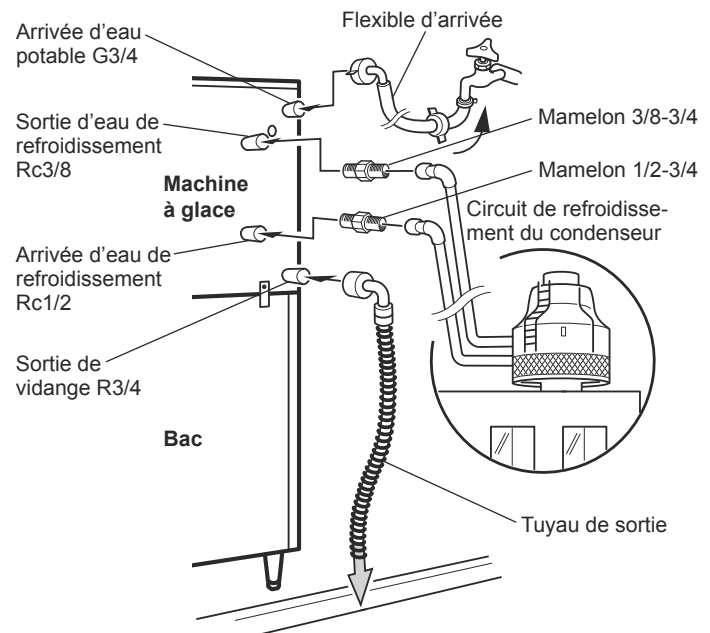
5) Raccorder le circuit de refroidissement du condenseur à l'extrémité libre des mamelons 1/2-3/4 et 3/8-3/4 comme indiqué à l'aide d'un tuyau rigide adapté.

[b] Branchements conformes à des réglementations autres que celles du WRAS à l'aide des tuyaux accessoires.

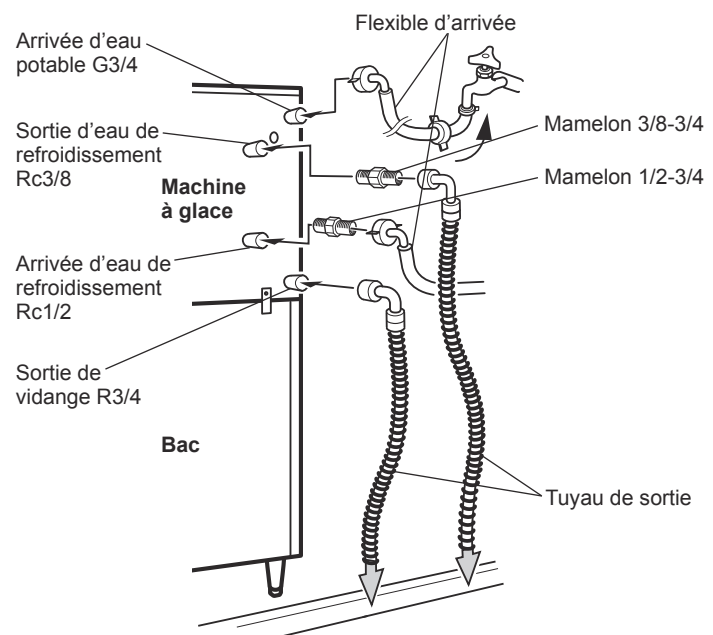
1) Suivre les consignes des paragraphes 1) à 4) figurant sous le point [a] ci-dessus.

2) Pour les branchements du condenseur, utiliser les tuyaux accessoires livrés et effectuer les mêmes branchements qu'aux paragraphes 1) à 3) du point [a] ci-dessus avec l'extrémité libre des mamelons 1/2-3/4 et 3/8-3/4 comme indiqué.

Modèle avec refroidissement par eau [a]

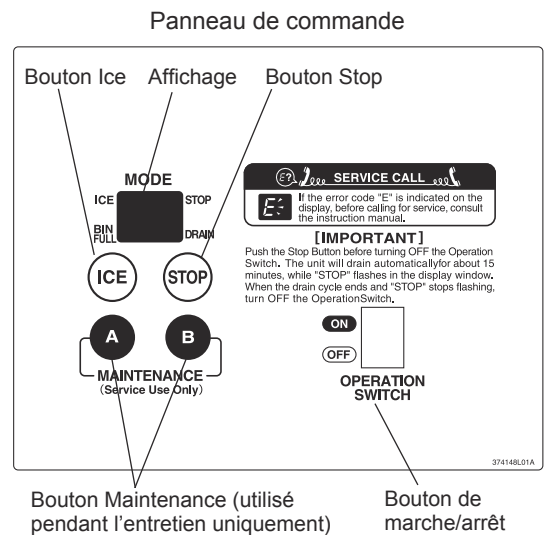


Modèle avec refroidissement par eau [b]



8. PROCEDURE DE MISE EN ROUTE

- 1) Vérifier que l'alimentation électrique est débranchée.
- 2) Mettre le bouton de marche/arrêt du panneau de commande sur « ON » (Marche).
- 3) Ouvrir le robinet d'alimentation en eau.
- 4) Brancher l'alimentation électrique et mettre l'appareil sous tension.
- 5) L'écran s'allume en mode « ICE ».
- 6) La séquence de mise en marche normale est la suivante :
 - a) Remplissage du réservoir d'eau.
 - b) Le moteur à engrenage démarre.
 - c) Le compresseur démarre.



▲ HYGIENE

Vérifier les conditions et la qualité de la production de glace.

Ne pas utiliser la glace produite durant l'essai. Elle pourrait être contaminée par des impuretés se trouvant dans le circuit d'eau. La jeter ou la vider dans le circuit de vidange.

Avant d'utiliser la machine, nettoyer le bac de stockage (voir « III. 1. NETTOYAGE » dans la notice d'utilisation).

9. DERNIERS CONTROLES

- 1) Vérifier la tension d'alimentation.
- 2) Vérifier que la machine à glace est correctement mise à la terre.
- 3) Vérifier que la machine à glace ne présente pas de vibrations.
- 4) Vérifier que tous les panneaux sont bien fixés.
- 5) Vérifier que la machine fonctionne correctement conformément à « 8. PROCEDURE DE MISE EN ROUTE ».
- 6) Vérifier que les connexions d'admission et de vidange d'eau ne présentent pas de fuites.
- 7) Indiquer à l'utilisateur comment utiliser correctement la machine. Donner la notice d'utilisation à l'utilisateur.

WICHTIGE SICHERHEITSHINWEISE

Dieses Handbuch enthält Hinweise, die Sie auf Situationen aufmerksam machen sollen, die Tod, schwere Verletzungen oder Geräteschäden verursachen können.

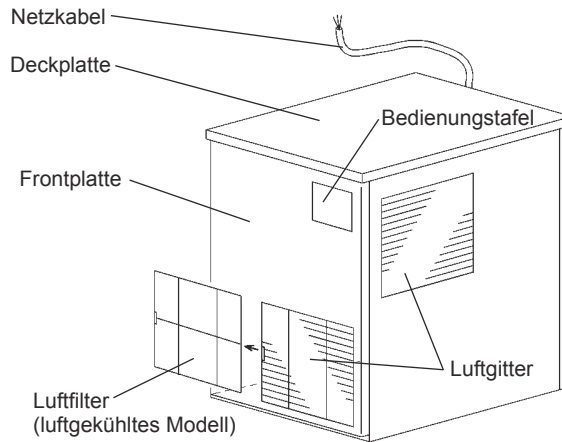
▲WARNUNG	Kennzeichnet eine gefährliche Situation, die, wenn sie nicht vermieden wird, zum Tod oder zu schweren Verletzungen führen kann.
▲VORSICHT	Kennzeichnet eine gefährliche Situation, die, wenn sie nicht vermieden wird, zu leichten oder mittleren Verletzungen führen kann.
HINWEIS	Kennzeichnet eine gefährliche Situation, die, wenn sie nicht vermieden wird, zu Geräteschäden führen kann.
▲HYGIENE	Kennzeichnet wichtige Maßnahmen für Hygiene und Lebensmittelsicherheit.
WICHTIG	Kennzeichnet wichtige Informationen zu Gebrauch und Pflege des Gerätes.

WICHTIG	
Um das Produkt sicher und einwandfrei installieren zu können, sollten Sie vor der Installation diese Broschüre sorgfältig lesen und die darin enthaltenen Anweisungen befolgen.	
Schalten Sie nach Abschluss der Installation den Eisbereiter ein und überprüfen Sie ihn auf Unregelmäßigkeiten. Weisen Sie den Benutzer in Gebrauch und Instandhaltung des Eisbereiters entsprechend der Bedienungsanleitung ein.	
Diese Broschüre sollte dem Benutzer nach der Installation ausgehändigt und von diesem zusammen mit der Bedienungsanleitung aufbewahrt werden, damit bei Bedarf darin nachgelesen werden kann.	

▲WARNUNG	
Dies ist ein Eisbereiter für den gewerblichen Einsatz, der ausschließlich für den vorgesehenen Zweck benutzt und mit einem, wie von Hoshizaki angegebenen, geeigneten Vorratsbehälter ausgestattet werden soll.	
Jede andere Verwendung ist als Zweckentfremdung und somit als gefährlich anzusehen. Der Hersteller übernimmt keine Haftung oder Verantwortung für Schäden, die durch missbräuchliche, falsche oder unangemessene Verwendung verursacht werden.	
Installation und erforderliche Standortverlegungen sind von qualifiziertem Personal in Übereinstimmung mit geltenden Vorschriften nach Angaben des Herstellers auszuführen.	
Die Lüftungsöffnungen im Gerätegehäuse oder im Innern des Gerätes nicht blockieren.	

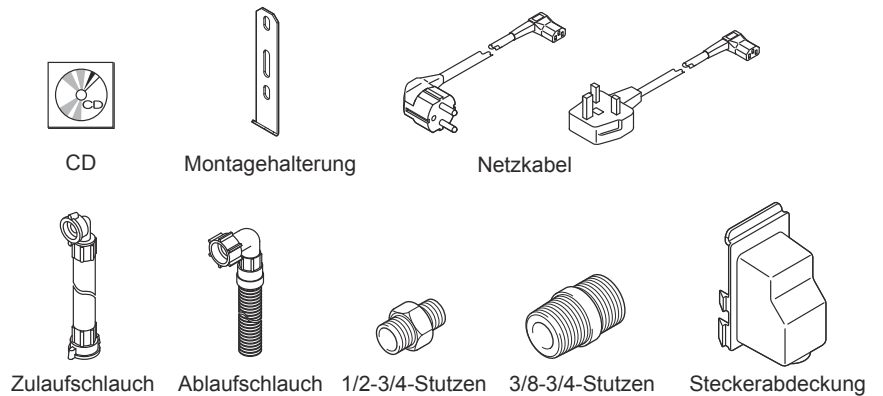
DEUTSCH

1. KONSTRUKTION



2. ZUBEHÖR

	Luftgekühlt	Wassergekühlt
CD	1	1
Montagehalterung	2	2
Netzkabel	1	1
Zulaufschlauch	1	1
Ablaufschlauch	1	1
1/2-3/4-Stutzen	-	1
3/8-3/4-Stutzen	-	1
Steckerabdeckung	1	1



3. AUSPACKEN

⚠️ WARNUNG

Kinder sollten keinen Zugang zum Verpackungsmaterial (Kunststoffbeutel und Polystyrol) haben, da dieses eine mögliche Gefahrenquelle darstellt.

⚠️ VORSICHT

Den Karton nicht an den Transportbändern anheben oder tragen.

Wenn das Gerät manuell bewegt werden soll, die Platten entfernen und den Geräterahmen festhalten.

Beim Tragen des Gerätes stets Schutzhandschuhe tragen.

Um Verletzungen zu vermeiden, den Karton oder das ausgepackte Gerät immer zu zweit handhaben.

HINWEIS

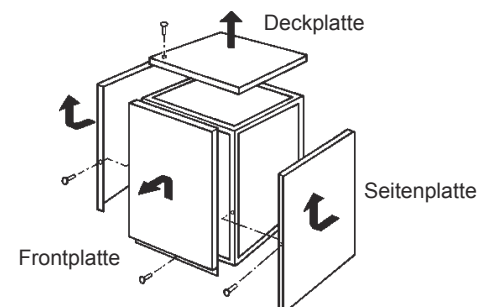
Versandkarton, Bänder und anderes Verpackungsmaterial entfernen. Wenn Verpackungsmaterial in der Maschine gelassen wird, arbeitet diese nicht richtig.

Dieser Eisbereiter braucht einen Vorratsbehälter. Der empfohlene Vorratsbehälter ist der HOSHIZAKI ICE STORAGE BIN, Modell B-300SD(PD) oder B-500SD(PD) mit Top-Ausrüstung - 8C, B-700SD(PD) mit Top-Ausrüstung - 22C, oder B-900SD(PD) mit Top-Ausrüstung - 22C und Top-Ausrüstung - 8C.

1) Nach dem Entfernen der Verpackung ist sicherzustellen, dass Eisbereiter und Vorratsbehälter in gutem Zustand sind. Im Zweifelsfall den Eisbereiter nicht verwenden, sondern qualifiziertes Fachpersonal hinzuziehen. Siehe Anleitungsblatt am Vorratsbehälter für Richtlinien zum Auspacken und zur Installation.

2) Das Transportband entfernen, das die Abdeckungen hält.

3) Die Front-, die obere und die Seitenplatten abnehmen.



- Deckplatte: Schraube entfernen. Abheben.
- Frontplatte: Schraube entfernen. Abheben und nach vorn ziehen.
- Seitenplatte: Schrauben entfernen. Leicht nach vorn ziehen.

- 4) Die Packung mit den Zubehörteilen herausnehmen. Den Inhalt anhand von „2. ZUBEHÖR“ kontrollieren.
- 5) Die Schutzfolie von den Blenden entfernen. Wenn der Eisbereiter Sonne oder Wärme ausgesetzt ist, die Folie erst abziehen, nachdem der Eisbereiter abgekühlt ist.

4. AUFSTELLORT

⚠️ WARNUNG

Dieser Eisbereiter eignet sich nicht für den Gebrauch im Freien.

Der Eiswürfelbereiter darf nicht neben Öfen, Grills oder anderen Geräten aufgestellt werden, die Hitze erzeugen.

Dieses Gerät eignet sich nicht für die Aufstellung in Räumen, in denen ggf. ein Wasserstrahl benutzt wird.

⚠️ VORSICHT

Der Aufstellort für den Eisbereiter muss stabil und eben sein.

HINWEIS

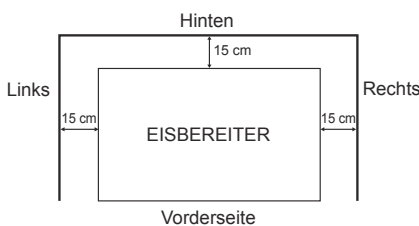
Keine Gegenstände auf die Deckplatte oder vor das Luftgitter des Eisbereiters stellen.

WICHTIG

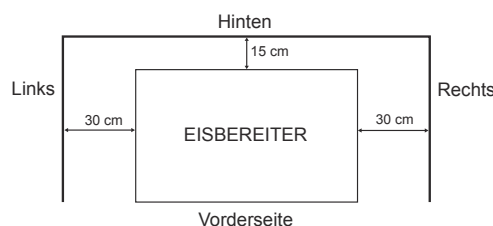
Für Normalbetrieb muss die Raumtemperatur zwischen 5 °C und 40 °C liegen. Der Wasseranschluss ist nur für kaltes Wasser. Längerer Gebrauch des Eisbereiters bei Temperaturen außerhalb dieser normalen Temperaturgrenzwerte kann die Produktionsleistung beeinträchtigen.

Die unten angegebenen Abstände einhalten, um eine optimale Luftzirkulation zu gewährleisten und die Wartung bzw. Pflege des Gerätes zu erleichtern.

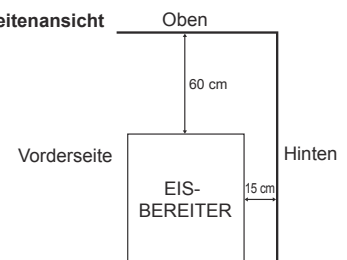
Ansicht von oben (außer FM-600AKE)



Ansicht von oben (nur FM-600AKE)



Seitenansicht



In Umgebungen mit hoher Feuchtigkeit kann sich Kondenswasser im Gerät bilden und auf den Boden tropfen. Das Gerät nicht auf Böden aufstellen, die durch Wasser beschädigt werden können.

5. INSTALLATION

⚠️ VORSICHT

Eine falsche Installation kann zu Verletzungen von Menschen und Tieren oder zu Sachschäden führen, für die der Hersteller nicht haftet.

- 1) Die vier mitgelieferten Beine (Behälterzubehör) ganz in die Unterseite des Vorratsbehälters hineinschrauben.
- 2) Den Vorratsbehälter in die ausgewählte, permanente Position bringen.

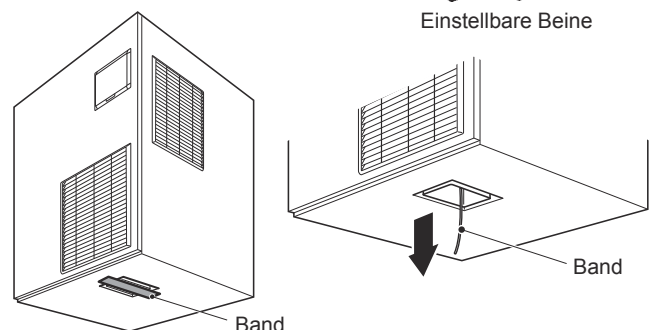
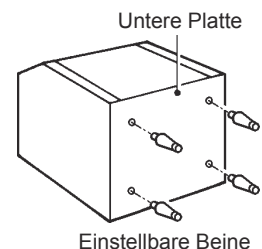
[Außer FM-170]

- 3) Das Band von der Eisschachttöffnung unten am Eisbereiter entfernen.

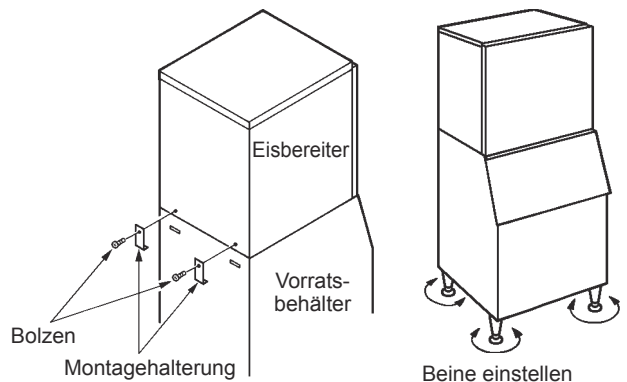
[Außer FM-170]

- 4) Das aus der Eisschachttöffnung heraushängende Band durch Herausziehen vollständig entfernen.

Hinweis: Wenn das Gerät eingeschaltet wird und sich der Dämpfer noch im Gerät befindet, startet der Eisbereiter nicht und in der Anzeige erscheint „BIN FULL“ (Behälter voll).



- 5) Den Eisbereiter über den Vorratsbehälter platzieren, während der untere Teil gehalten wird.
- 6) Den Eisbereiter mit den zwei Montagehalterungen und den zwei mitgelieferten Bolzen am Vorratsbehälter befestigen.
- 7) Den Spalt zwischen dem Eisbereiter und dem Vorratsbehälter mit einem Dichtmittel abdichten, das für Lebensmittel unbedenklich ist.
- 8) Die Seitenplatten wieder in ihre richtige Position montieren.
- 9) Die vier Beine (einstellbar von 0 - 25,4 mm) so einstellen, dass der Eisbereiter völlig horizontal steht. Eine Wasserwaage benutzen.



6. ELEKTRISCHE ANSCHLÜSSE

⚠ WARNUNG

DIESES GERÄT MUSS GEERDET WERDEN

Dieser Eisbereiter erfordert einen Schutzkontakt, der nationalen und lokalen Bestimmungen entspricht.

Um schwere Körperverletzungen und Gerätebeschädigungen infolge eines elektrischen Schlages zu vermeiden, ist ein ordnungsgemäßer Erdleiter am Eisbereiter anzubringen.

Die Stromversorgung ausschalten, bevor Wartungs-, Reparatur- oder Reinigungsarbeiten vorgenommen werden.

* Dieses Gerät benötigt eine separate Stromversorgung mit 220-240 V~, 17 A (FM-1000, 600) / 12 A (FM-750, 480) / 8 A (FM-300) / 7 A (FM-170). Die Stromversorgung muss mit einem geeigneten Leistungsschutzschalter gesichert werden.

* In der Regel wird hierzu ein Elektriker mit entsprechender Qualifikation und Zulassung benötigt.

[FM-1000, 600]

* Das Auswechseln des Netzkabels oder des Netzsteckers sollte nur von einer qualifizierten Fachkraft ausgeführt werden.

* Die ortsfeste Leitungsführung muss die Möglichkeit der Unterbrechung von der Stromzufuhr enthalten, wobei alle Pole eine Kontaktunterbrechung von mindestens 3 mm aufweisen müssen.

[FM-750, 480, 300, 170]

* Ist das Netzkabel beschädigt, muss es durch ein vom Hoshizaki-Ersatzteil-/Kundendienst erhältliches Ersatzkabel ersetzt werden.

Nur für das Vereinigte Königreich und die Republik Irland

* Die Drähte im Netzkabel sind nach dem folgenden Farbcode gekennzeichnet:

Grün & Gelb = Erde

Blau = Nullleiter

Braun = spannungsführender Leiter

Die Farben der Adern im Netzkabel dieses Geräts stimmen möglicherweise nicht mit den Farbmarkierungen in Ihrem Stecker überein, daher bitte immer wie folgt vorgehen:

Der grün-gelbe Leiter ist an die Klemme anzuschließen, die mit dem Buchstaben E oder dem Symbol \perp bzw. grün oder gelb-grün markiert ist. Die blaue Ader ist an die Klemme anzuschließen, die mit dem Buchstaben N oder schwarz markiert ist. Die braune Ader ist an die Klemme anzuschließen, die mit dem Buchstaben L oder rot markiert ist.

* Falls der mit dem Gerät gelieferte Stecker für die Netzsteckdose am Installationsort ungeeignet ist, muss er entfernt (bzw. wenn er verkapselt ist, abgeschnitten) und durch einen passenden Stecker ersetzt werden.

Ein abgeschnittener, verkapselter (nicht zugänglicher Stecker) muss entsorgt werden. Versuchen Sie nicht, ihn wiederzuverwenden. Durch die Verwendung eines solchen Steckers in einer anderen Steckdose besteht die Gefahr eines elektrischen Schlags.

* Der verkapselte Stecker ist nie ohne angebrachte Sicherungsabdeckung zu verwenden.

Der richtige Ersatz für die abnehmbare Sicherungsabdeckung lässt sich anhand der Hersteller-Referenznummer ermitteln, die auf den Stecker gestanzt ist.

Ersatzabdeckungen für Sicherungen sind von Hoshizaki-Ersatzteil-/Service-Zentren erhältlich.

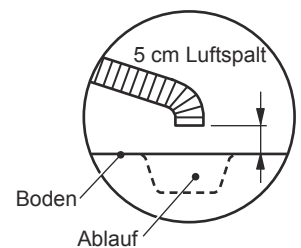
Sicherungen sollten mit 12 A ausgelegt sein und die Norm BS 1362 erfüllen.

7. WASSERZULAUF- UND WASSERABLAUFANSCHLÜSSE

⚠️ WARNUNG

Nur an die kalte Trinkwasserversorgung anschließen.

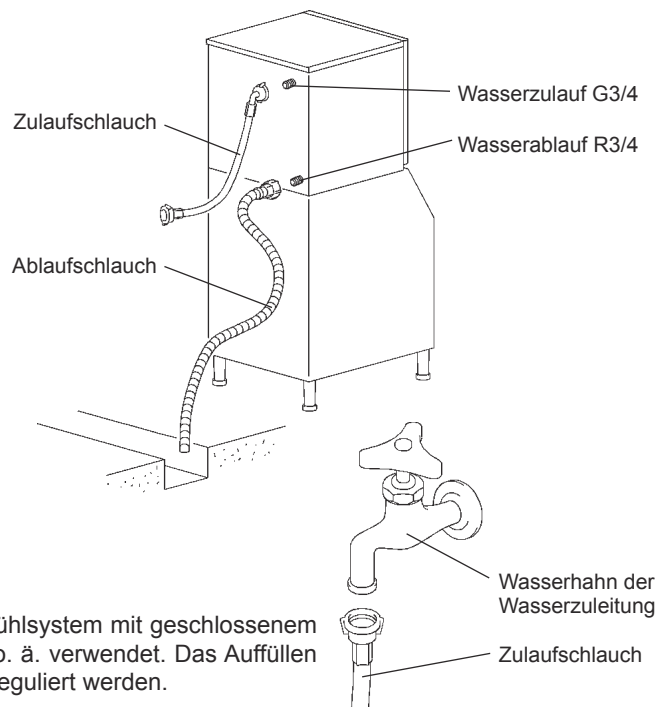
- * Die Anschlüsse an die Hauptwasserversorgung müssen entsprechend den Anforderungen der aktuellen Wasserversorgungs- oder Wasseranschlussbestimmungen ausgeführt werden.
- * Wasser für die Eisbereitung muss Trinkwasser sein. Wo Ablagerungen aufgrund der Wasserqualität entstehen können, es wird die Installation eines externen Filters oder Weichmachers empfohlen. Wenden Sie sich an Ihren örtlichen Wasseraufbereitungsspezialisten oder an den Hoshizaki-Kundendienst.
- * Der Druck in der Wasserzufuhrleitung muss mindestens 0,05 MPa (0,5 bar) und darf höchstens 0,8 MPa (8 bar) betragen. Bei einem höheren Druck als 0,8 MPa (8 bar) ist ein geeignetes Druckreduzierventil zu verwenden. Der Wasserzulauf am Hahn selbst darf NICHT gedrosselt werden.
- * In bestimmten Gebieten sind eine Installationsgenehmigung und der Anschluss durch einen zugelassenen Installateur erforderlich.
- * Der Abfluss des Wassers aus dem Eisbereiter erfolgt durch Schwerkraft, daher ist auf ein ausreichendes Gefälle des Ablaufschlauchs zu achten.
- * Die Verrohrung von Ablaufleitungen sollte nicht direkt in das Abwassersystem führen. Vom Ablaufschlauchende des Eisbereiters und des Vorratsbehälters sollte mindestens ein 5 cm hoher vertikaler Luftspalt zum Bodenablauf verbleiben.
- * Bei wassergekühlten Modellen muss möglicherweise ein Rücklaufschutz im Kühlwasserkreislauf eingebaut werden.
- * Immer die mit dem Gerät gelieferte neue Schlauchgarnitur verwenden. Keine alten Schlauchgarnituren wiederverwenden.



[Luftgekühltes Modell]

- 1) Abgewinkeltes Ende des flexiblen Zulaufschlauches (Zubehör) auf den G3/4-Anschluss an der Rückseite des Eisbereiters schrauben. Dabei darauf achten, dass die Gummidichtung richtig liegt. Mit der Hand so anziehen, dass die Verbindung dicht ist.
- 2) Das andere Ende des Zulaufschlauches an den Wasserhahn schrauben, dabei wie oben darauf achten, dass die Gummidichtung richtig liegt, und mit der Hand festziehen. Vorsichtshalber sollte das Absperrventil in Reichweite sein.
- 3) Den grauen, flexiblen Ablaufschlauch (Zubehör) mit der Hand auf den R3/4-Anschluss auf der Rückseite des Eisbereiters festschrauben (siehe Abbildung). Dabei darauf achten, dass die Gummidichtung richtig liegt, damit die Verbindung dicht ist. Das Rohr lässt sich auf die richtige Länge, d. h. der Position des Hauptabflusses entsprechend, zuschneiden.

Luftgekühltes Modell



[Wassergekühltes Modell]

- * Hoshizaki empfiehlt, einen wassergekühlten Verflüssiger an ein Kühlsystem mit geschlossenem Kreislauf anzuschließen, das einen Kühlturm oder Wasserkühler o. ä. verwendet. Das Auffüllen mit Wasser sollte über ein Kugelventil-/Unterbrecher-Tanksystem reguliert werden.
- * Obgleich das Anschließen eines wassergekühlten Verflüssigers an eine Trinkwasserversorgungsleitung die Leistung des Eisbereiters nicht beeinträchtigt, wird es auf alle Fälle eine(n) hohe(n) Verbrauch/Verschwendung einer wertvollen Ressource bewirken und wird daher nicht empfohlen.
- * Um eine sachgerechte Installation zu gewährleisten, sollten die Dienste eines zugelassenen Installateurs in Anspruch genommen werden.
- * Die Anschlüsse haben den geltenden nationalen oder lokalen Vorschriften zu entsprechen.

DEUTSCH

[a] Standardanschlüsse entsprechend der WRAS-Bestimmungen in Großbritannien.

* Bei der Auswahl eines Kühlturms muss auf folgende Spitzenwerte für den Wärmefluss im Verflüssiger geachtet werden:

Modell FM-600AWKE(-N):	3797 W
FM-480AWKE(-N):	3325 W

* Rohre zwischen dem Kühlturm und dem Eisbereiter müssen mindestens 20 mm Durchmesser haben, um Druckverlust zu verringern, auch wenn die Anschlüsse des Eisbereiters nur 13 mm im Durchmesser sind.

* Der Druckverlust im Wasserkreislauf im Innern der Einheit wird 5 bis 6 m betragen, wenn das Kühlwasser mit 4 bis 5 l/min umläuft.

* Eine Umwälzpumpe wählen, die zu den obigen Werten des Wärmeflusses passt.

[Anschlüsse des Eisbereiters]

1) Abgewinkeltes Ende des flexiblen Zulaufschlauchs (Zubehör) auf den G3/4-Anschluss an der Rückseite des Eisbereiters schrauben. Dabei darauf achten, dass die Gummidichtung richtig liegt. Mit der Hand so anziehen, dass die Verbindung dicht ist.

2) Das andere Ende des Zulaufschlauchs an den Wasserhahn schrauben, dabei wie oben darauf achten, dass die Gummidichtung richtig liegt, und mit der Hand festziehen.

Hinweis: Falls eine Filtrierung oder Aufbereitung benutzt wird, müssen Sie sicherstellen, dass nur der Eisbereiterabschnitt an die aufbereitete Wasserzufuhr angeschlossen ist, nicht der Kondensator.

3) Den grauen, flexiblen Ablaufschlauch (Zubehör) wie gezeigt an den R3/4-Anschluss auf der Rückseite des Eisbereiters festschrauben. Dabei wieder darauf achten, dass die Gummidichtung richtig sitzt und dann die Verbindung von Hand festschrauben. Das Rohr lässt sich auf die richtige Länge, d. h. der Position des Hauptabflusses entsprechend, zuschneiden.

4) Mit einem geeigneten Schlüssel oder Schraubenschlüssel die 1/2-3/4- und 3/8-3/4-Stutzen (Zubehör) in die Rc1/2- und Rc3/8-Anschlüsse auf der Rückseite des Eisbereiters einschrauben (siehe Abbildung). PTFE-Band und/oder ein geeignetes Dichtmittel verwenden, um eine dichte Verbindung zu erhalten.

Hinweis: Dichtmittel müssen für den Gebrauch mit Trinkwasser zugelassen und geeignet sein.

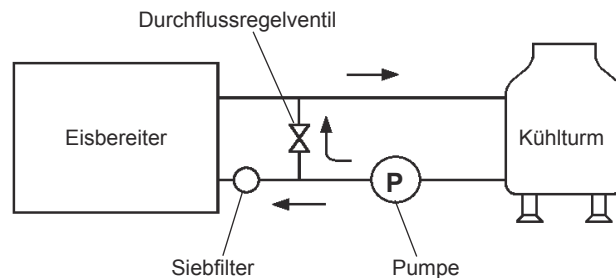
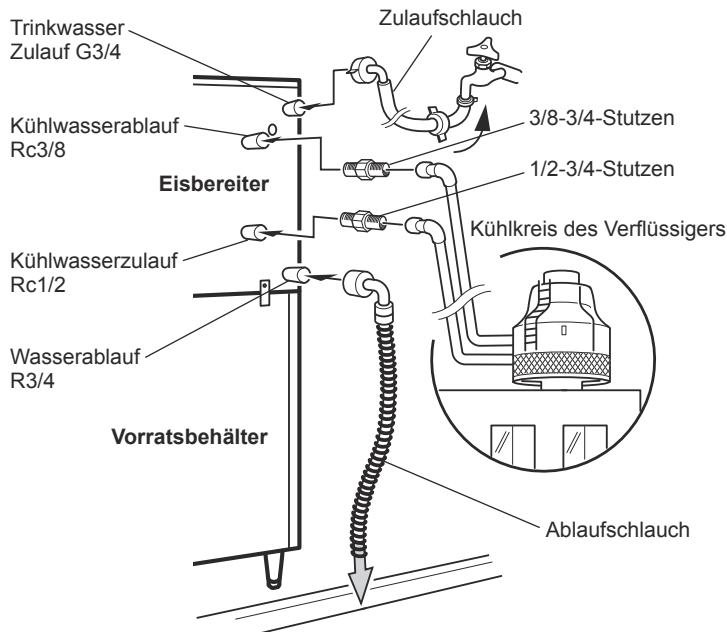
5) Mit einem geeigneten starren Rohr den Kühlkreislauf des Verflüssigers mit dem freien Ende der 1/2-3/4- und 3/8-3/4-Stutzen verbinden.

[b] Anschlüsse entsprechend anderer als der WRAS-Bestimmungen unter Verwendung von Zubehörschläuchen

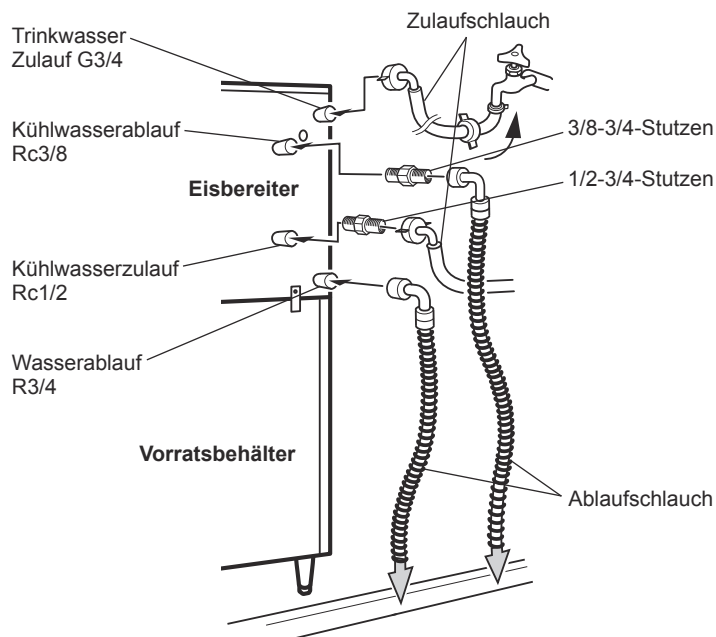
1) Den obigen Anweisungen 1) bis 4) unter [a] folgen.

2) Zum Anschluss des Verflüssigers die mitgelieferten Zubehörschläuche verwenden. Die gleichen Verbindungen wie oben in 1) bis 3) unter [a] an den freien Enden der 1/2-3/4- und 3/8-3/4-Stutzen herstellen.

Wassergekühltes Modell [a]

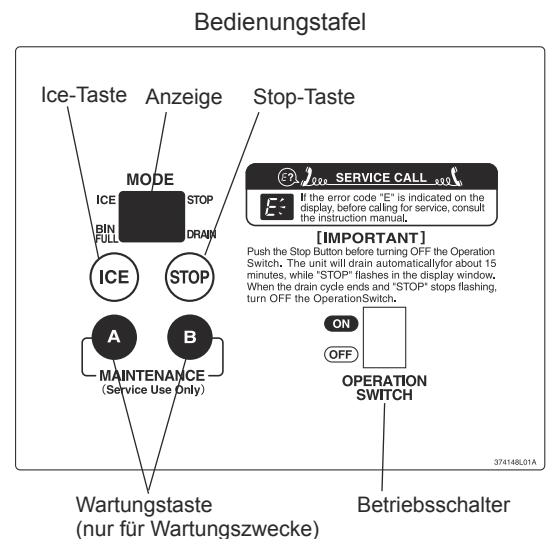


Wassergekühltes Modell [b]



8. START-VERFAHREN

- 1) Überprüfen Sie, dass das Netzkabel nicht eingesteckt ist.
- 2) Den Betriebsschalter an der Bedienungstafel auf die Position „ON“ stellen.
- 3) Wasserhahn der Wasserzulaufleitung öffnen.
- 4) Gerät mit dem Netz verbinden und einschalten.
- 5) Die Anzeige leuchtet im „ICE“-Modus auf.
- 6) Nun sollte folgende Sequenz ablaufen:
 - a) Wasservorratsbehälter wird gefüllt.
 - b) Getriebemotor startet.
 - c) Der Verdichter läuft an.



▲HYGIENE

Prüfen Sie die Bedingungen und die Qualität der Eisherstellung.

Das Eis aus dem Testlauf nicht verwenden. Es könnte durch Fremdstoffe im Wasserkreislauf kontaminiert sein. Das Eis wegwerfen oder den Abfluss hinunterspülen.

Vorratsbehälter vor der Verwendung reinigen (siehe „III. 1. REINIGEN“ in der Betriebsanleitung).

9. ABSCHLUSSTESTS

- 1) Auf richtige Versorgungsspannung prüfen.
- 2) Prüfen, dass der Eisbereiter ordnungsgemäß geerdet ist.
- 3) Prüfen, dass der Eisbereiter nicht vibriert.
- 4) Prüfen, dass alle Abdeckplatten fest und sicher sitzen.
- 5) Auf einwandfreien Betrieb prüfen, entsprechend „8. START-VERFAHREN“.
- 6) Wasserzulauf- und Wasserablaufanschlüsse auf Undichtigkeit prüfen.
- 7) Den Benutzer in den richtigen Gebrauch des Gerätes einweisen. Dem Benutzer die Bedienungsanleitung aushändigen.

NEDERLANDS

BELANGRIJKE VEILIGHEIDSINFORMATIE

Overal in deze handleiding treft u opmerkingen aan die uw aandacht willen vestigen op situaties die zouden kunnen resulteren in overlijden, ernstig letsel of schade aan de machine.

▲WAARSCHUWING	Geeft een gevaarlijke situatie aan die, als deze niet wordt vermeden, zou kunnen resulteren in overlijden of ernstig letsel.
▲VOORZICHTIG	Geeft een gevaarlijke situatie aan die, als deze niet wordt vermeden, zou kunnen resulteren in licht of middelzwaar letsel.
LET OP	Geeft een gevaarlijke situatie aan die, als deze niet wordt vermeden, zou kunnen resulteren in schade aan de machine.
▲HYGIËNE	Geeft belangrijke voorzorgsmaatregelen aan met betrekking tot de hygiëne en voedselveiligheid.
BELANGRIJK	Geeft belangrijke informatie aan over het gebruik en de verzorging van de machine.

BELANGRIJK

Lees dit boekje zorgvuldig door vóór de installatie en volg de opgenomen instructies nauwgezet op om een veilige en correcte installatie van het product te waarborgen.

Start, nadat de installatie is voltooid, de ijsmachine op om te controleren op afwijkingen. Geef de gebruiker instructies voor het gebruik en onderhoud van de ijsmachine in overeenstemming met de instructiehandleiding.

Dit boekje moet na de installatie aan de gebruiker worden overhandigd, die het bij de gebruiksaanwijzing moet bewaren voor eventueel toekomstig gebruik.

▲WAARSCHUWING

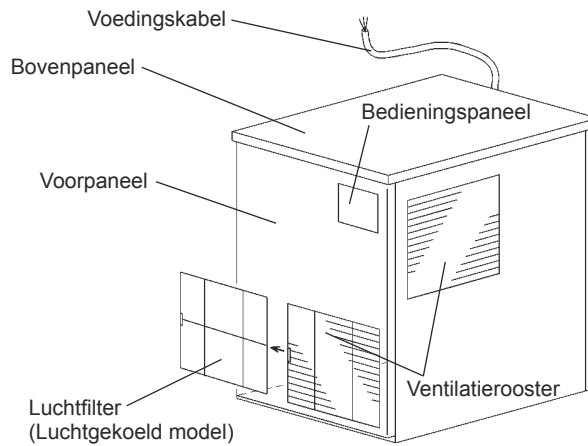
Dit is een ijsmachine voor commerciële doeleinden en dit apparaat dient uitsluitend te worden gebruikt voor de toepassingen waarvoor het is ontworpen en te worden bevestigd aan een geschikte opslagbunker zoals dit door Hoshizaki is opgegeven.

Enige andere vorm van gebruik wordt als ongeschikt en dus gevaarlijk beschouwd. De fabrikant kan niet aansprakelijk of verantwoordelijk worden gesteld voor enige schade die ontstaat door ongeschikt, incorrect en onredelijk gebruik.

De installatie en eventuele verplaatsing van de ijsmachine mag uitsluitend door gekwalificeerd personeel en overeenkomstig de plaatselijk geldende voorschriften worden uitgevoerd, waarbij de instructies van de fabrikant dienen te worden gevolgd.

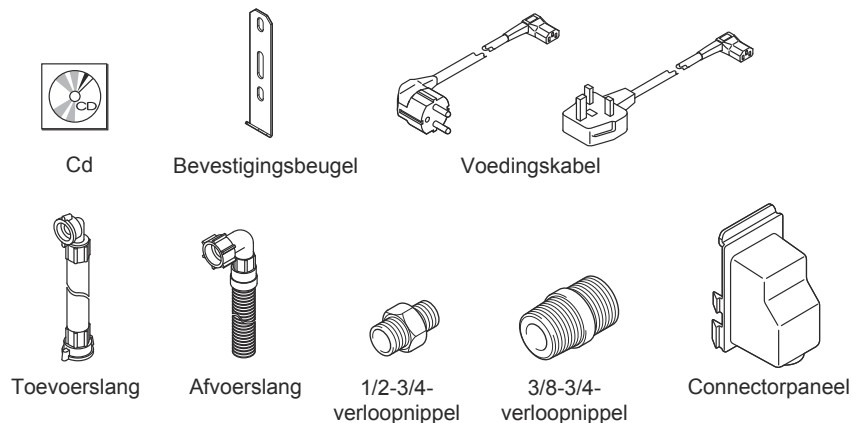
Houd ventilatieopeningen, zowel in de behuizing van de machine als in de inbouwstructuur, vrij van obstakels.

1. CONSTRUCTIE



2. TOEBEHOREN

	Luchtgekoeld	Watergekoeld
Cd	1	1
Bevestigingsbeugel	2	2
Voedingskabel	1	1
Toevoerslang	1	1
Afvoerslang	1	1
1/2-3/4-verloopnippel	-	1
3/8-3/4-verloopnippel	-	1
Connectorpaneel	1	1



3. UITPAKKEN

⚠ WAARSCHUWING

Kinderen moeten buiten het bereik van het verpakkingsmateriaal (plastic zakken en geëxpandeerd polystyreen) worden gehouden aangezien dit mogelijke bronnen van gevaar zijn.

⚠ VOORZICHTIG

Til de doos niet op en verplaats deze niet met behulp van de transportbanden.

Wanneer u het apparaat handmatig verplaatst, dient u de panelen te verwijderen en het frame van de ijsmachine vast te houden.

Draag altijd beschermende handschoenen bij het dragen van de machine.

Werk met zijn tweeën bij het verplaatsen van de doos of de uitgepakte machine om letsel te voorkomen.

LET OP

Verwijder kartonnen doos, tape en ander verpakkingsmateriaal. Als er verpakkingsmateriaal achterblijft in de ijsmachine, werkt deze niet goed.

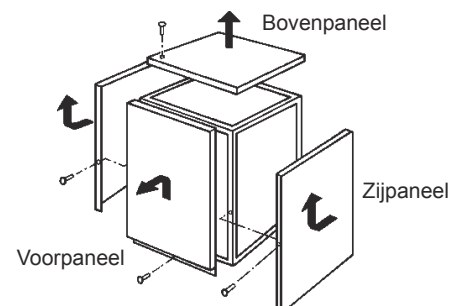
Deze ijsmachine heeft een bunker nodig. De aanbevolen bunker is de HOSHIZAKI ICE STORAGE BIN, model B-300SD(PD) of B-500SD(PD) met top kit - 8C, B-700SD(PD) met top kit - 22C of B-900SD(PD) met top kit - 22C en top kit - 8C.

1) Controleer, nadat u de verpakking hebt verwijderd, of de ijsmachine en de bunker in goede staat verkeren. Gebruik de ijsmachine niet in geval van twijfel, maar raadpleeg bevoegd servicepersoneel. Raadpleeg het instructieblad dat bij de bunker is gevoegd voor richtlijnen bij het uitpakken en installeren.

2) Verwijder de transporttape waarmee de panelen zijn bevestigd.

3) Verwijder de voor-, boven- en zijpanelen.

4) Verwijder het pakket met de accessoires. Controleer de inhoud aan de hand van "2. TOEBEHOREN".



- Bovenpaneel: Verwijder de schroef. Verwijder het paneel.
- Voorpaneel: Verwijder de schroef. Til het paneel omhoog en trek het naar u toe.
- Zijpaneel: Verwijder de schroeven. Trek het paneel iets naar u toe.

NEDERLANDS

5) Verwijder de beschermende kunststoffilm van de panelen. Als de ijsmachine is blootgesteld aan de zon of aan hitte, verwijdert u de folie nadat de ijsmachine is afgekoeld.

4. PLAATSING

⚠ WAARSCHUWING

Deze ijsmachine is niet bestemd voor gebruik buitenshuis.

De ijsmachine mag niet naast een oven, grill of andere apparatuur die veel warmte afgeeft worden geplaatst.

Deze machine is niet geschikt om in een ruimte te worden geïnstalleerd die met een waterstraal wordt schoongespoten.

⚠ VOORZICHTIG

De ijsmachine moet waterpas op een stevige ondergrond worden geplaatst.

LET OP

Plaats geen andere apparaten of voorwerpen bovenop de ijsmachine of voor de ventilatieopening.

BELANGRIJK

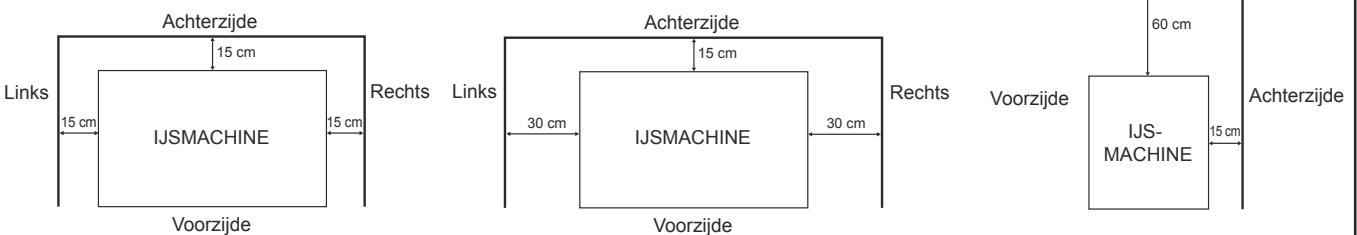
De normale omgevingstemperatuur bij bedrijf moet tussen 5 °C en 40 °C liggen. Er mag uitsluitend koud water worden toegevoerd. Bediening van de ijsmachine gedurende langere perioden buiten dit normale temperatuurbereik kan de productiecapaciteit beïnvloeden.

Houd aan de bovenkant de vrije ruimte aan die hieronder staat vermeld. Dit zorgt voor een optimale luchtcirculatie en vergemakkelijkt onderhouds- en/of reparatiewerkzaamheden.

Bovenaanzicht (behalve FM-600AKE)

Bovenaanzicht (uitsluitend FM-600AKE)

Zijaanzicht



In sommige zeer vochtige omgevingen kan condensvorming optreden in de machine die vervolgens op de vloer druipt. Installeer de ijsmachine niet in een ruimte waar de vloer kan worden aangetast door water.

5. INSTALLATIE

⚠ VOORZICHTIG

Onjuiste installatie van de ijsmachine kan schade toebrengen aan mens, dier en omgeving. De fabrikant aanvaardt geen aansprakelijkheid voor schade en/of letsel ten gevolge van het onjuist installeren van de machine.

1) Draai de vier meegeleverde voetjes (bunkeraccessoire) volledig vast aan de onderkant van de bunker.

2) Plaats de bunker op de geselecteerde permanente locatie.

[Behalve FM-170]

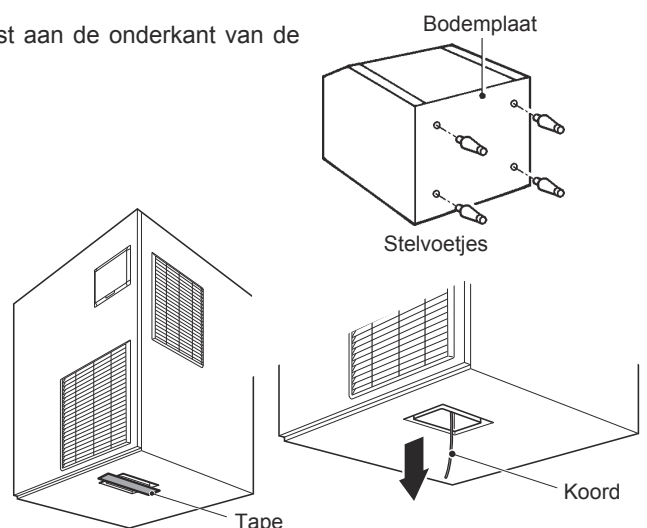
3) Verwijder de tape van de opening van de uitvalschacht aan de onderkant van de ijsmachine.

[Behalve FM-170]

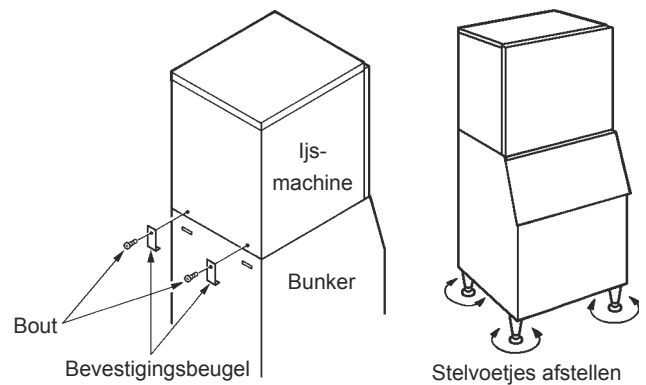
4) Trek het uiteinde van het koord dat uit de opening van de uitvalschacht steekt omlaag om het hele stootrubber te verwijderen.

Opmerking: als de stroomtoevoer wordt ingeschakeld terwijl het stootrubber is achtergebleven, start de ijsmachine niet en wordt "BUNKER VOL" weergegeven op het display.

5) Plaats de ijsmachine bovenop de bunker. Houd de ijsmachine hierbij aan de onderkant vast.



- 6) Bevestig de ijsmachine aan de bunker met behulp van de twee bevestigingsbeugels en de twee bouten die zijn meegeleverd.
- 7) Dicht de naad tussen de ijsmachine en de bunker af met een afdichtmiddel dat geschikt is voor gebruik in de buurt van voedingsmiddelen.
- 8) Plaats de zijpanelen terug.
- 9) Stel de vier voetjes aan de onderkant (instelbaar van 0 tot 25,4 mm) zodanig af dat de ijsmachine volledig horizontaal staat. Gebruik de waterpas.



6. ELEKTRISCHE AANSLUITINGEN

⚠ WAARSCHUWING

DEZE MACHINE MOET WORDEN GEAARD

Deze ijsmachine moet worden geaard volgens de geldende voorschriften.

Ter voorkoming van ernstig persoonlijk letsel en materiële schade als gevolg van elektrische schokken, dient deze ijsmachine te worden voorzien van een correct aangebrachte aardleiding.

Verwijder de stekker uit het stopcontact voordat u onderhouds-, reparatie- of reinigingswerkzaamheden gaat uitvoeren.

* Voor dit apparaat is een apart stopcontact van 220-240 V AC, 17A (FM-1000, 600) / 12A (FM-750, 480) / 8A (FM-300) / 7A (FM-170) vereist. Het stopcontact moet worden beschermd door een geschikte stroombreker.

* Normaalgesproken dient men te beschikken over de juiste vergunningen en/of de hulp in te roepen van een erkend elektricien.

[FM-1000, 600]

* Wanneer de netvoedingskabel en/of stekker vervangen moet worden, mag dit alleen worden gedaan door een erkend onderhoudsmonteur.

* De vaste bedrading moet over een manier voor loskoppeling van de voeding beschikken met een contactscheiding van minimaal 3 mm in elke pool.

[FM-750, 480, 300, 170]

* Als de voedingskabel beschadigd is, moet deze worden vervangen door een vervangende kabel die verkrijgbaar is bij de onderdelen- en servicecentra van Hoshizaki.

Alleen voor het Verenigd Koninkrijk en Ierland:

* De draden van de netvoeding hebben een kleurcode:

- Groen/geel = aarde
- Blauw = neutraal
- Bruin = stroomvoerend

Als de gekleurde draden in de voedingskabel van deze machine zijn aangesloten op stekkerpolen met een afwijkende kleur, dient u het volgende te doen:

Sluit de groen/gele draad in de stekker aan op de groen/gele of groene stekkerpool of anders op de stekkerpool die is aangeduid met de letter E of het symbool \perp . Sluit de blauwe draad aan op de zwarte stekkerpool of op de stekkerpool die is aangeduid met de letter N. Sluit de bruine draad aan op de rode stekkerpool of op de stekkerpool die is aangeduid met de letter L.

* Als het stopcontact waarop u de ijsmachine wilt aansluiten niet geschikt is voor de stekker die aan de voedingskabel van de ijsmachine zit, dient de stekker te worden verwijderd (een gegoten stekker wordt afgesneden) en vervangen door een geschikte stekker.

De gegoten stekker die van de voedingskabel is afgesneden, moet worden weggegooid. Hij mag niet opnieuw worden gebruikt. Wanneer deze stekker elders in een stopcontact wordt gestoken, zorgt dit voor een groot risico van elektrische schokken.

* De gegoten stekker mag uitsluitend in combinatie met een zekeringhouder worden gebruikt.

Het referentienummer van de fabrikant is in de stekker ingeslagen. In geval u de zekeringhouder vervangt, dient een vervangend exemplaar van hetzelfde type te worden gebruikt.

Zekeringhouders zijn te verkrijgen via de onderdelen- en servicecentra van Hoshizaki.

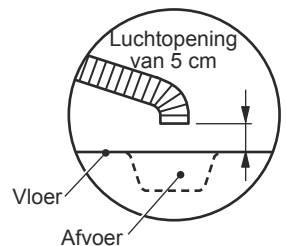
Gebruik zekeringen van 12 A die zijn goedgekeurd volgens BS 1362.

7. AANSLUITING VAN WATERTOEOVOER- EN WATERAFVOERLEIDINGEN

▲WAARSCHUWING

Mag alleen worden aangesloten op een drinkwaterleiding voor koud water.

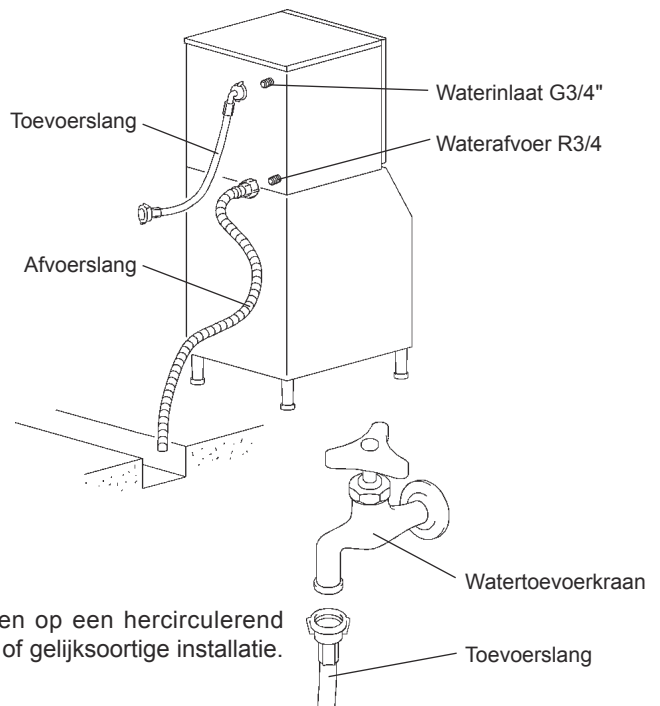
- * De aansluitingen aan de drinkwaterleiding moeten worden uitgevoerd in overeenstemming met de huidige vereisten van het land in de regelgeving met betrekking tot watertoevoer of -accessoires.
- * Het water om ijs mee te maken moet drinkwater zijn. Waar vorming van ketelsteen kan optreden ten gevolge van de waterkwaliteit, installatie van een extern filter of zachtmaker wordt aanbevolen. Neem contact op met uw plaatselijke waterbehandelingsspecialist of Hoshizaki-servicebedrijf.
- * De watertoevoerdruk moet tenminste 0,05 MPa (0,5 bar) bedragen en mag niet hoger dan 0,8 MPa (8 bar) zijn. Als de waterdruk hoger is dan 0,8 MPa (8 bar), moet gebruik worden gemaakt van een reduceerventiel. De watertoevoerkraan mag voor dit doel **NIET** gedeeltelijk worden dichtgedraaid.
- * In sommige gebieden kan een loodgietersvergunning of het inschakelen van een erkend loodgieter verplicht zijn.
- * De waterafvoer van de ijsmachine stroomt onder natuurlijk verval; de afvoerslang moet dus voldoende verval hebben.
- * Afvoerleidingen mogen niet rechtstreeks op de riolering worden aangesloten. Houd een verticale luchtopening van minimaal 5 cm aan tussen het uiteinde van de afvoerslangen van ijsmachine en bunker en de vloerafvoer.
- * Bij het watergekoelde model kan het nodig zijn een terugslagklep in het koelwatercircuit te plaatsen.
- * Gebruik de nieuwe slangensets die met het apparaat zijn meegeleverd. Gebruik oude slangensets niet opnieuw.



[Luchtgekoeld model]

- 1) Bevestig het gebogen uiteinde van de flexibele toevoerslang (meegeleverd) aan de G 3/4"-aansluiting aan de achterzijde van de ijsmachine zoals weergegeven. Let er daarbij op dat de rubber afstandsring goed is aangebracht. Voorkom lekkage door de aansluiting handvast aan te draaien.
- 2) Bevestig het andere uiteinde van de toevoerslang aan de waterkraan. Zorg ervoor dat de afdichtring goed is aangebracht voordat u de aansluiting handvast aandraait. Het verdient aanbeveling een afsluitkraan te monteren op een goed bereikbare plek.
- 3) Bevestig de flexibele grijze afvoerslang (meegeleverd) aan de R3/4"-aansluiting aan de achterzijde van de ijsmachine zoals weergegeven en draai deze handvast aan. Let er daarbij op dat de rubberen afstandsring goed is aangebracht om lekkage te voorkomen. De slang kan zonodig op lengte worden gesneden voor een passende aansluiting op de hoofdafvoer.

Luchtgekoeld model



[Watergekoeld model]

- * Hoshizaki raadt aan om de watergekoelde condensor aan te sluiten op een hercirculerend koelsysteem met gesloten circuit, voorzien van een toren, waterkoeler of gelijksoortige installatie. Het vullen met water moet via een kogelventiel/mengvat plaatsvinden.
- * Hoewel het aansluiten van een watergekoelde condensor op een drinkwaterleiding geen invloed heeft op de prestaties van de machine, wordt dit in verband met het hoge verbruik afgeraden.
- * Voor een correcte installatie moet een bevoegde of erkende loodgieter worden ingeschakeld.
- * De aansluitingen moeten in overeenstemming zijn met de van toepassing zijnde landelijke of plaatselijke voorschriften.

[a] Standaard aansluiting volgens de WRAS-voorschriften in het Verenigd Koninkrijk.

* Bij het kiezen van een koeltoren moet u rekening houden met de volgende piekwaarden van de warmtestroming in de condensor:

Model FM-600AWKE(-N):	3797 W
FM-480AWKE(-N):	3325 W

* Leidingen tussen de koeltoren en de ijsmachine moeten minstens 20 mm in doorsnee zijn om drukverlies op te vangen, ondanks dat de aansluitingen van de ijsmachine zelf 13 mm in doorsnee zijn.

* Drukverlies in het watercircuit binnen de ijsmachine zal 5 tot 6 m bedragen als het koelwater een stroomsnelheid heeft van 4 tot 5 l/min.

* Houd bij het selecteren van een circulatiepomp rekening met bovenstaande warmtestromingswaarden.

[Ijsmachineaansluitingen]

1) Bevestig het gebogen uiteinde van de flexibele toevoerslang (meegeleverd) aan de G3/4"-aansluiting aan de achterzijde van de ijsmachine zoals weergegeven. Let er daarbij op dat de rubber afdichting goed is aangebracht. Voorkom lekkage door de aansluiting handvast aan te draaien.

2) Bevestig het andere uiteinde van de toevoerslang aan de kraan. Zorg ervoor dat de afdichting goed is aangebracht voordat u de aansluiting handvast aantraait.

Opmerking: Indien waterfiltering of -zuivering wordt gebruikt, dient u ervoor te zorgen dat alleen de ijsmachine is aangesloten op de gezuiverde watertoevoer, niet de condensor.

3) Draai de flexibele grijze afvoerslang (meegeleverd) handvast aan op de R3/4 aansluiting aan de achterzijde van de ijsmachine zoals aangegeven. Zorg er daarbij voor dat de rubber afdichting goed is aangebracht voor een lekvrije aansluiting. De slang kan zonnodig op lengte worden gesneden voor een passende aansluiting op de hoofdafvoer.

4) Draai de 1/2"-3/4"- en 3/8"-3/4"-nippels (accessoire) met behulp van een geschikte (schroef)sleutel in de 1/2"- en 3/8"-aansluitingen aan de achterzijde van de ijsmachine zoals weergegeven. Voor een lekvrije verbinding moet PTFE-tape en/of een geschikte afdichtingspasta worden gebruikt.

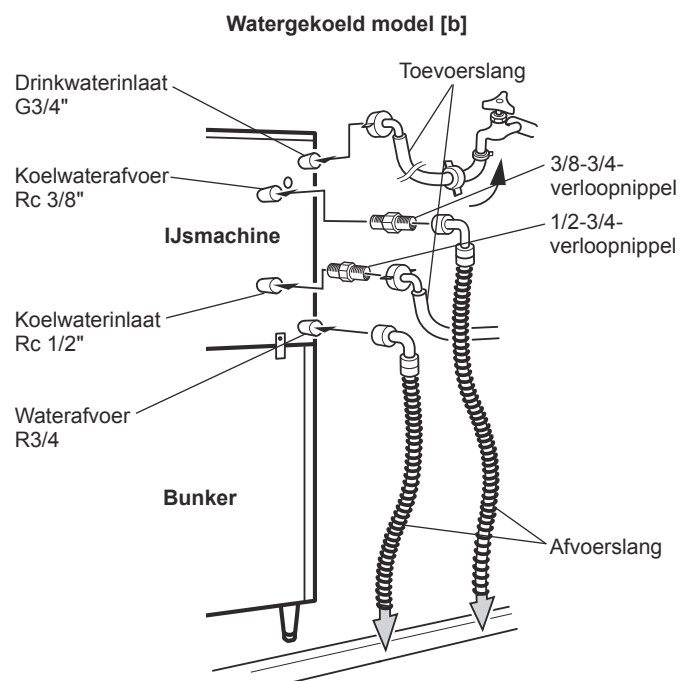
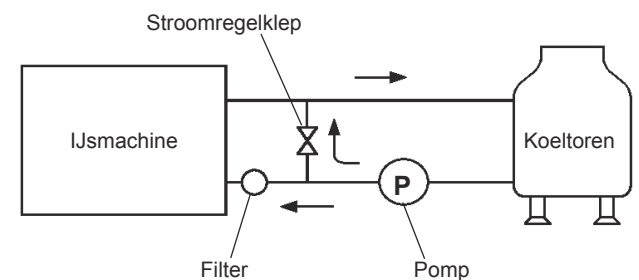
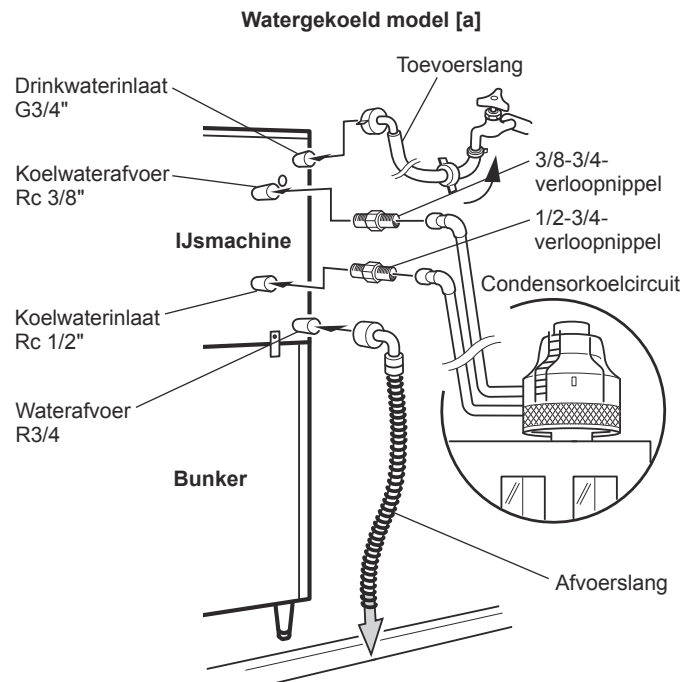
Opmerking: de koppelingselementen moeten zijn goedgekeurd en moeten geschikt zijn voor gebruik met drinkwater.

5) Sluit het condensorkoelcircuit door middel van een onbuigzame pijp aan op de vrije uiteinden van de 1/2"-3/4"- en 3/8"-3/4"-verloopnippels zoals aangegeven.

[b] Aansluitingen volgens voorschriften die afwijken van de WRAS-voorschriften, met gebruikmaking van meegeleverde slangen.

1) Volg stappen 1 t/m 4 zoals in [a] hierboven.

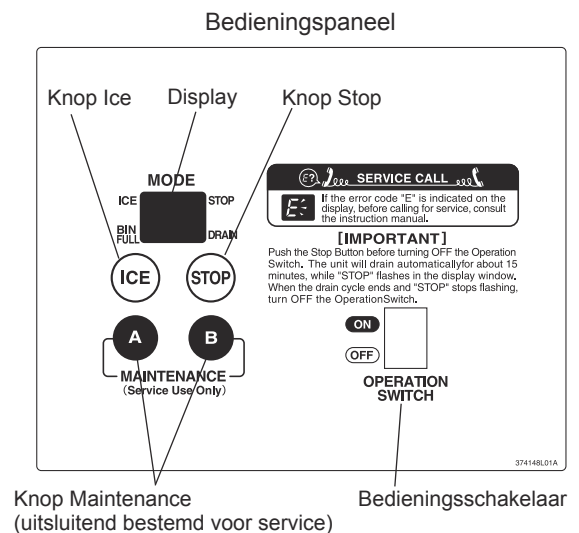
2) Voor condensoraansluitingen moet u de meegeleverde slangen gebruiken en dezelfde aansluitingen maken als in stappen 1 t/m 3, zoals in [a] boven op de vrije uiteinden van de 1/2"-3/4"- en 3/8"-3/4"-nippels zoals aangegeven.



NEDERLANDS

8. OPSTARTPROCEDURE

- 1) Controleer of het stroomsnoer uit het stopcontact is verwijderd.
- 2) Zet de bedieningsschakelaar op het bedieningspaneel in de stand "ON".
- 3) Draai de watertoevoerkraan open.
- 4) Sluit de netvoeding aan en schakel de ijsmachine in.
- 5) Het display geeft de modus "ICE" weer.
- 6) Nu gebeurt achtereenvolgens het volgende:
 - a) Het waterreservoir loopt vol.
 - b) De aandrijfmotor start.
 - c) De compressor start.



HYGIËNE

Controleer de kwaliteit van het geproduceerde ijs.

Het ijs dat tijdens het testen van de ijsmachine is geproduceerd, mag niet worden gebruikt voor consumptie. Het is mogelijk verontreinigd met deeltjes afkomstig uit het watercircuit. Gooi het ijs weg in de afvoer.

Maak voor ingebruikname van de ijsmachine eerst de bunker schoon (zie "III. 1. SCHOONMAKEN" in de instructiehandleiding).

9. LAATSTE CONTROLES

- 1) Controleer op de juiste spanning.
- 2) Controleer of de ijsmachine juist geaard is.
- 3) Controleer of de ijsmachine trillingvrij is.
- 4) Controleer of alle panelen zijn aangebracht en vastzitten.
- 5) Controleer de juiste werking aan de hand van "8. OPSTARTPROCEDURE".
- 6) Controleer de watertoevoer en de slangaansluitingen op lekkage.
- 7) Geef de gebruiker instructies met betrekking tot het juiste gebruik van de machine. Overhandig de instructiehandleiding aan de gebruiker.

INFORMACIÓN IMPORTANTE DE SEGURIDAD

A lo largo de este manual aparecerán avisos para llamar su atención sobre situaciones que podrían tener como consecuencia la muerte, heridas graves o daños en la unidad.

▲ADVERTENCIA	Indica una situación peligrosa que, de no evitarse, podría tener como resultado la muerte o heridas graves.
▲ATENCIÓN	Indica una situación peligrosa que, de no evitarse, podría tener como resultado heridas leves o moderadas.
AVISO	Indica una situación peligrosa que, de no evitarse, podría tener como resultado daños en la unidad.
▲HIGIENE	Indica precauciones importantes para la higiene y la seguridad de la comida.
IMPORTANTE	Indica información importante acerca del uso y el cuidado de la unidad.

IMPORTANTE

Para realizar la instalación del producto de modo seguro y efectivo, lea previamente este folleto con atención y siga sus instrucciones.

Una vez finalizada la instalación, inicie la máquina de hielo para asegurarse de que está todo correcto. Indique al usuario cómo utilizar y mantener la máquina de hielo de acuerdo con el manual de instrucciones.

Este folleto deberá entregarse al usuario al finalizar la instalación para que lo guarde junto con el manual de instrucciones para cualquier consulta que sea necesaria.

▲ADVERTENCIA

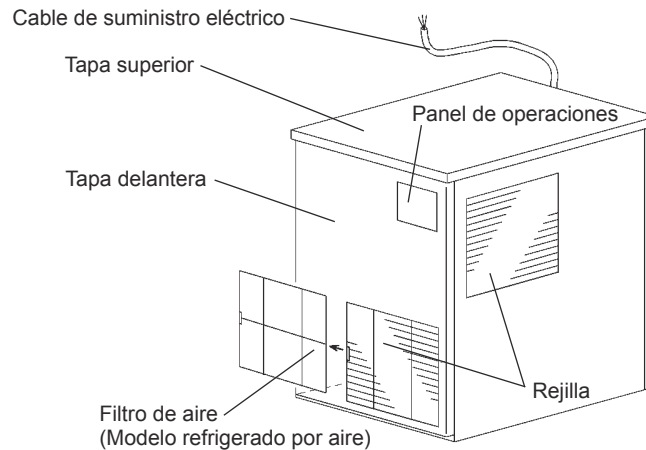
Esta máquina de hielo comercial solo debe utilizarse para los fines para los que ha sido expresamente diseñada. Asimismo, deberá acoplarse a la cuba de almacenamiento que corresponda según las especificaciones de Hoshizaki.

Cualquier otra utilización deberá considerarse inadecuada y, por lo tanto, potencialmente peligrosa. El fabricante no será responsable de ningún daño causado por un uso incorrecto, inadecuado o irracional.

La instalación y, si fuera necesario, la reubicación, deben ser realizadas únicamente por personal cualificado, de acuerdo con la normativa vigente y con las instrucciones del fabricante.

Mantenga los orificios de ventilación, de la carcasa de la máquina o de la estructura integrada, libres de cualquier obstrucción.

1. CONSTRUCCIÓN



2. ACCESORIOS

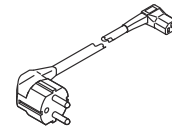
	Refrigerado por aire	Refrigerado por agua
CD	1	1
Soporte de montaje	2	2
Cable de suministro eléctrico	1	1
Manguera de entrada	1	1
Manguera de salida	1	1
Boquilla 1/2-3/4	-	1
Boquilla 3/8-3/4	-	1
Tapa del conector	1	1



CD



Soporte de montaje



Cable de suministro eléctrico



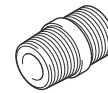
Manguera de entrada



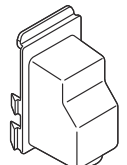
Manguera de salida



Boquilla 1/2-3/4



Boquilla 3/8-3/4



Tapa del conector

3. DESEMBALAJE

⚠ ADVERTENCIA

No deje al alcance de los niños el material de embalaje (bolsas de plástico y poliestireno expandido), ya que son fuentes potenciales de peligro.

⚠ ATENCIÓN

No levante ni manipule el cartón usando las cintas de embalaje.

Cuando desplace la unidad con la mano, desmonte las tapas y sujete el marco de la misma.

Lleve siempre guantes protectores al transportar la unidad.

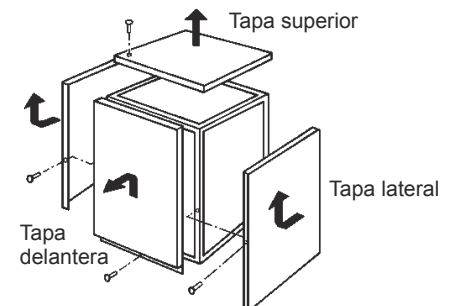
Cuando vaya a manipular el cartón o la unidad desembalada, hágalo con la ayuda de otra persona para evitar daños.

AVISO

Retire el cartón, la(s) cinta(s) y el embalaje de expedición. La máquina de hielo no funcionará correctamente si no se quita el material de embalaje.

Esta máquina de hielo necesita una cuba de almacenamiento. La cuba de almacenamiento recomendada es la CUBA DE ALMACENAMIENTO DE HOSHIZAKI, Modelo B-300SD(PD) o B-500SD(PD) con equipo en la parte superior - 8C, B-700SD(PD) con equipo en la parte superior - 22C, o B-900SD(PD) con equipo en la parte superior - 22C y equipo en la parte superior - 8C.

- 1) Una vez que haya quitado el embalaje asegúrese de que la máquina de hielo y la cuba de almacenamiento estén en buen estado. En caso de duda, no use la máquina de hielo y consulte a profesionales cualificados. Para los procedimientos de instalación y desembalaje véase la hoja de instrucciones que acompaña a la cuba de almacenamiento.
- 2) Retire la cinta de embalaje que sujeta las tapas.
- 3) Quite las tapas frontal, superior y laterales.



- Tapa superior: Retire el tornillo. Levántela.
- Tapa delantera: Retire el tornillo. Levante y tire hacia usted.
- Tapa lateral: Retire los tornillos. Tire un poco hacia usted.

- 4) Retire el embalaje de los accesorios. Verifique el contenido de acuerdo con “2. ACCESORIOS”.
- 5) Retire de las tapas la película protectora de plástico. Si la máquina de hielo está expuesta al sol o al calor, quítele la película una vez que se haya enfriado.

4. UBICACIÓN

⚠ADVERTENCIA

Esta máquina de hielo no está diseñada para uso en el exterior.

La máquina de hielo no debe colocarse cerca de hornos, parrillas u otras fuentes de calor.

Este aparato no es apropiado para su instalación en una zona en la que pueda haber un chorro de agua.

⚠ATENCIÓN

La máquina de hielo debe ubicarse sobre una base firme y nivelada.

AVISO

No coloque nada encima de la máquina de hielo ni delante de la rejilla.

IMPORTANTE

La temperatura ambiente normal de funcionamiento deberá oscilar entre 5 °C y 40 °C. La conexión al suministro de agua es únicamente para agua fría. La utilización de la máquina de hielo fuera de estos márgenes de temperatura normal por periodos prolongados puede afectar su capacidad de producción.

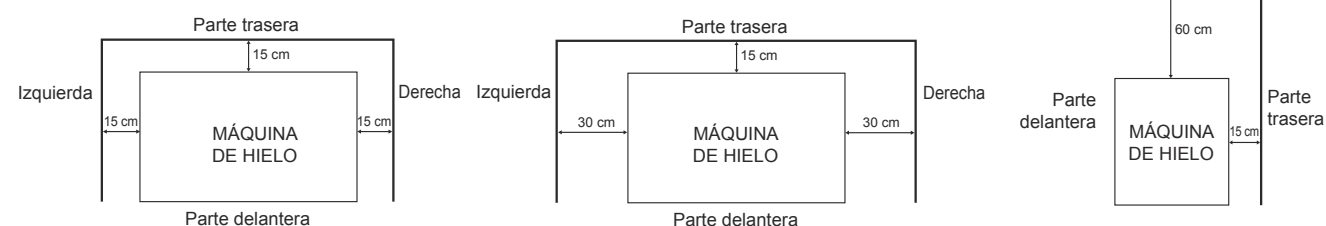
Deje el espacio especificado a continuación para permitir la circulación de aire y facilitar las eventuales operaciones de reparación o mantenimiento.

Vista superior (excepto FM-600AKE)

Vista superior (solo FM-600AKE)

Vista lateral

Parte superior



Es posible que en algunos entornos con un nivel alto de humedad se forme condensación en el interior de la máquina y gotee en el suelo. No la instale en suelos sensibles al agua.

5. INSTALACIÓN

⚠ATENCIÓN

El fabricante no se hace responsable de los daños a personas, animales u otros elementos provocados por una instalación incorrecta.

- 1) Atornille totalmente las cuatro patas suministradas (accesorios) en la parte inferior de la cuba de almacenamiento.

- 2) Sitúe la cuba de almacenamiento en el lado elegido para la misma.

[Excepto FM-170]

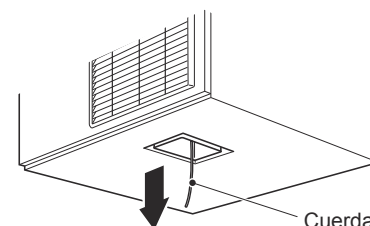
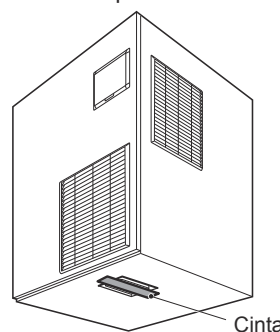
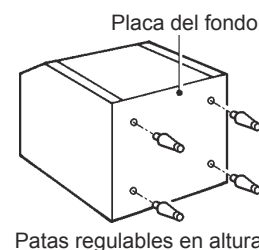
- 3) Retire la cinta de la abertura de la vertedera en la parte inferior de la máquina de hielo.

[Excepto FM-170]

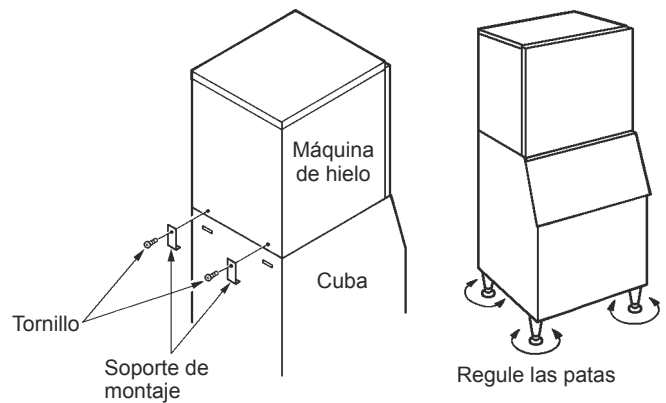
- 4) Tire del extremo de la cuerda que sale de la abertura de la vertedera para extraer el amortiguador completo.

Nota: Si se activa la alimentación eléctrica con parte del amortiguador en el interior, la máquina de hielo no se iniciará y mostrará “BIN FULL” en la pantalla.

- 5) Coloque la máquina de hielo encima de la cuba de almacenamiento sujetándola por la parte inferior.



- 6) Fije la máquina de hielo a la cuba de almacenamiento mediante los dos soportes de montaje y los dos pernos que se suministran.
- 7) Con un sellador apto para alimentación, selle la junta entre la máquina de hielo y la cuba de almacenamiento.
- 8) Vuelva a montar las tapas laterales en sus posiciones correctas.
- 9) Ajuste las cuatro patas de la parte inferior (regulables entre 0 y 25,4 mm) para que la máquina de hielo quede perfectamente horizontal. Use el nivel de burbuja.



6. CONEXIONES ELÉCTRICAS

⚠ ADVERTENCIA

ESTA MÁQUINA DEBES CONECTARSE A TIERRA

Esta máquina de hielo requiere una conexión a tierra conforme a la normativa eléctrica nacional y local.

Para evitar la posibilidad de fuertes descargas eléctricas a personas o graves averías de la unidad, conecte a la máquina un cable de puesta a tierra adecuado.

Antes de realizar operaciones de mantenimiento, reparación o limpieza, desconecte la unidad de la red eléctrica.

* Este equipo necesita una alimentación de 220 - 240 VCA, 17 A (FM-1000, 600) / 12 A (FM-750, 480) / 8 A (FM-300) / 7 A (FM-170) aparte. El suministro eléctrico debe protegerse con un disyuntor apropiado.

* Normalmente son necesarios un permiso para obras eléctricas y los servicios de un electricista acreditado.

[FM-1000, 600]

* En caso de que sea necesario sustituir el cable de alimentación y el enchufe, dicha sustitución debe realizarla únicamente un técnico de mantenimiento cualificado.

* El cableado fijado debe incorporar un medio para desconexión de la alimentación eléctrica que tenga una separación de contacto de al menos 3 mm en todos los polos.

[FM-750, 480, 300, 170]

* Si se daña el cable de alimentación, deberá sustituirse por un cable de repuesto disponible en los centros de repuestos/servicio de Hoshizaki.

Únicamente en el Reino Unido y la República de Irlanda

* Los hilos del cable de red están coloreados de acuerdo con el código siguiente:

Verde y amarillo = Tierra

Azul = Neutro

Marrón = Activo

Es posible que los colores de los hilos del cable de red de este equipo no se correspondan con las marcas de color que identifican los terminales del enchufe que se utilice. En ese caso, proceda del modo siguiente:

El hilo verde y amarillo se debe conectar al terminal del enchufe marcado con la letra E o con el símbolo \perp , o de color verde o de color verde-amarillo. El hilo azul debe conectarse al terminal marcado con la letra N o de color negro. El hilo marrón debe conectarse al terminal marcado con la letra L o de color rojo.

* En caso de que las tomas de corriente del lugar donde se va a instalar no sean adecuadas para el enchufe que se suministra con el producto, debe sustituirse el enchufe (cortándolo si está moldeado) por uno adecuado.

Si la clavija no reutilizable se ha cortado del cable de alimentación, dicha clavija debe desecharse. No trate de reutilizarla. La introducción de esta clavija en cualquier toma de corriente representa un grave riesgo de descarga eléctrica.

* La clavija no reutilizable no debe utilizarse nunca sin una tapa de fusibles montada.

El recambio correcto de la tapa de fusibles desmontable se identifica por el número de referencia del fabricante grabado en la propia clavija.

Puede obtener tapas de fusibles de repuesto en los centros de repuestos/servicio de Hoshizaki.

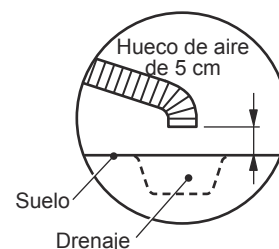
Los fusibles deben ser de 12 A y estar homologados según BS 1362.

7. SUMINISTRO DE AGUA Y CONEXIONES DE DRENAJE

⚠ ADVERTENCIA

Conecte la máquina únicamente a un suministro de agua fría potable.

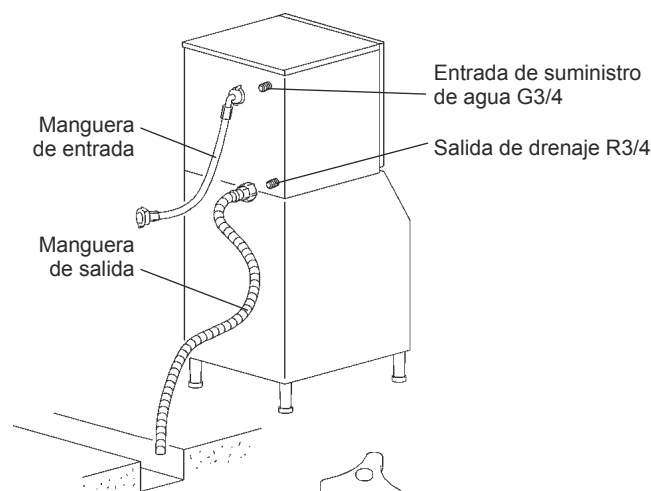
- * La conexión a la red de suministro general de agua debe hacerse según la regulación vigente de cada país en materia de suministro de agua o racores.
- * El agua para la fabricación de hielo debe ser potable. En los casos en los que la acumulación de sarro se deba a la calidad del agua, se recomienda la instalación de un descalcificador o un filtro externo. Póngase en contacto con un profesional en el tratamiento de aguas local o con un agente de servicio de Hoshizaki.
- * La presión del suministro de agua debe ser de 0,05 MPa (0,5 bar) como mínimo y 0,8 MPa (8 bar) como máximo. Si la presión es superior a 0,8 MPa (8 bar), utilice una válvula reductora adecuada. **NO** trate de reducir la presión actuando sobre la llave de paso.
- * En algunas localidades pueden ser necesarios un permiso para obras de fontanería y los servicios de un fontanero acreditado.
- * El drenaje de la máquina de hielo se realiza por gravedad, de modo que la manguera de drenaje debe disponer de la pendiente y altura adecuadas.
- * Las tuberías no deberían instalarse directamente al drenaje. Debe quedar un hueco de aire vertical de al menos 5 cm entre el extremo de las mangueras de drenaje de la máquina de hielo y la cuba de almacenamiento y el drenaje del suelo.
- * En los modelos refrigerados por agua, puede ser necesario instalar un dispositivo que impida el reflujó en el circuito de agua de refrigeración.
- * Asegúrese de que utiliza los tubos nuevos que se suministran con el equipo. No reutilice ninguna manguera antigua.



[Modelo refrigerado por aire]

- 1) Una el extremo acodado de la manguera flexible de entrada (accesoria) al racor G3/4 en la parte trasera de la máquina de hielo, tal como se muestra, verificando que la junta de goma quede correctamente colocada. Apriete a mano lo suficiente para conseguir una junta estanca.
- 2) Acople el otro extremo de la manguera de entrada al colector de agua, comprobando, antes de apretar a mano como se indica anteriormente, que la junta esté bien colocada. Como medida de precaución, es conveniente tener a mano una válvula de cierre.
- 3) Apriete a mano la manguera flexible gris de salida (accesoria) en el racor R3/4 en la parte trasera de la máquina de hielo tal como se muestra, verificando que la arandela de goma quede correctamente colocada para obtener una conexión estanca. Puede cortar la manguera a la longitud necesaria ajustándolo a la posición del drenaje principal.

Modelo refrigerado por aire



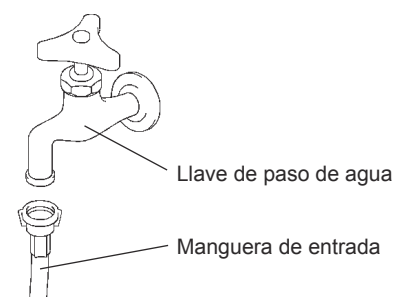
[Modelo refrigerado por agua]

* Hoshizaki recomienda conectar el condensador refrigerado por agua a un sistema de refrigeración de circuito cerrado que utilice una torre, refrigerador de agua o similar. La admisión de agua debe efectuarse mediante una disposición con válvula de bola/depósito de vaciado.

* Aunque conectar un condensador refrigerado por agua a la red de suministro general de agua (potable) no afectará al funcionamiento de la máquina, con toda probabilidad provocará un alto consumo/desperdicio de un recurso valioso, por lo que no se recomienda.

* Para asegurar una correcta instalación debe recurrirse a los servicios de un fontanero acreditado.

* Las conexiones deben efectuarse adecuadamente y conforme a las normativas nacionales o locales vigentes.



[a] Conexiones estándar de acuerdo con las normativas WRAS en el Reino Unido.

* Para seleccionar una torre de refrigeración, remítase a los valores máximos siguientes de flujo de calor en el condensador:

Modelo FM-600AWKE(-N):	3797 W
FM-480AWKE(-N):	3325 W

* Los tubos entre la torre de refrigeración y la máquina de hielo deben tener un diámetro mínimo de 20 mm a fin de reducir la pérdida de presión, aun cuando los racores de la máquina tengan un diámetro de 13 mm.

* La pérdida de presión en el circuito de agua en el interior de la unidad será de 5-6 m cuando el agua de refrigeración circule a 4-5 l/min.

* Seleccione una bomba de circulación conforme a los valores anteriormente indicados de flujo de calor.

[Conexiones de la máquina de hielo]

1) Una el extremo acodado de la manguera flexible de entrada (accesoria) al racor G3/4 en la parte posterior de la máquina de hielo, verificando que la junta de goma quede correctamente colocada. Apriete a mano lo suficiente para conseguir una junta estanca.

2) Acople el otro extremo de la manguera de entrada al colector de agua, comprobando, antes de apretar a mano como se indica anteriormente, que la junta esté bien colocada.

Nota: Si se utiliza un filtro o tratamiento del agua, asegúrese de que solo se suministre agua tratada a la parte de fabricación de hielo y no al condensador.

3) Una la manguera gris de salida (accesoria) en el racor R3/4 en la parte posterior de la máquina de hielo, tal como se muestra, verificando que la junta de goma quede correctamente colocada antes de apretar a mano la unión. Puede cortar la manguera a la longitud necesaria ajustándolo a la posición del drenaje principal.

4) Con unos alicates o una llave adecuada, apriete las boquillas 1/2-3/4 y 3/8-3/4 (accesorias) a los racores Rc1/2 y Rc3/8 de la parte posterior de la máquina, tal como se muestra. Debe utilizarse cinta P.T.F.E. y/o un compuesto sellador adecuado para obtener una junta estanca.

Nota: Los componentes de la junta deben ser adecuados y deben estar homologados para uso con agua potable.

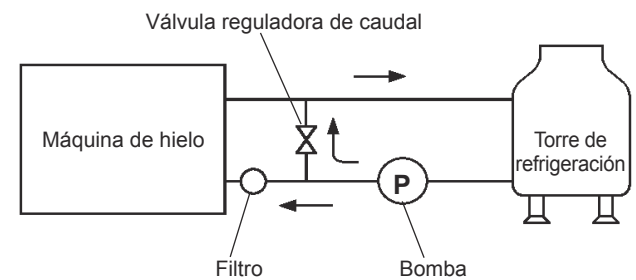
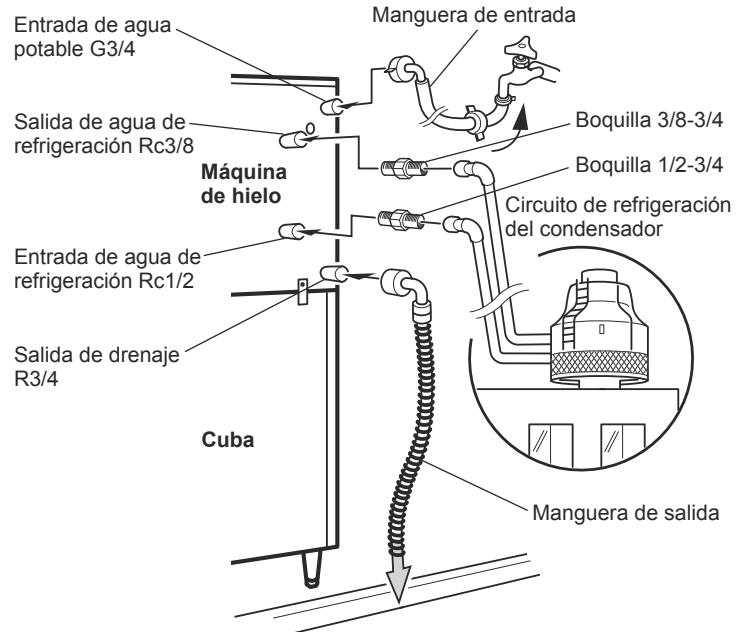
5) Conecte el circuito de refrigeración del condensador al extremo libre de las boquillas 1/2-3/4 y 3/8-3/4 como se muestra con un tubo rígido de tipo adecuado.

[b] Conexiones conforme a normativas diferentes a WRAS con mangueras accesorias

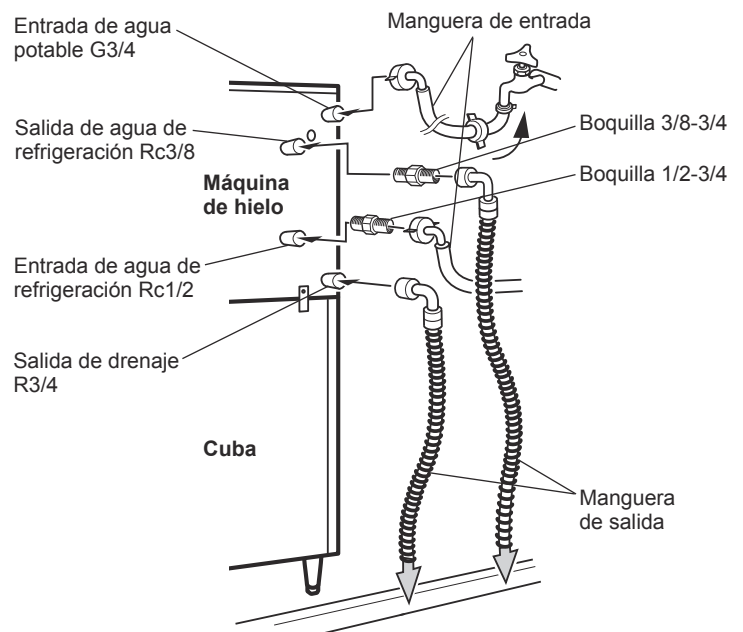
1) Siga los pasos 1) a 4) descritos anteriormente en [a].

2) Para las conexiones del condensador utilice los tubos accesorios que se suministran y realice las mismas conexiones de la 1) a la 3) del apartado [a] anterior en el extremo libre de las boquillas 1/2-3/4 y 3/8-3/4 como se muestra.

Modelo refrigerado por agua [a]

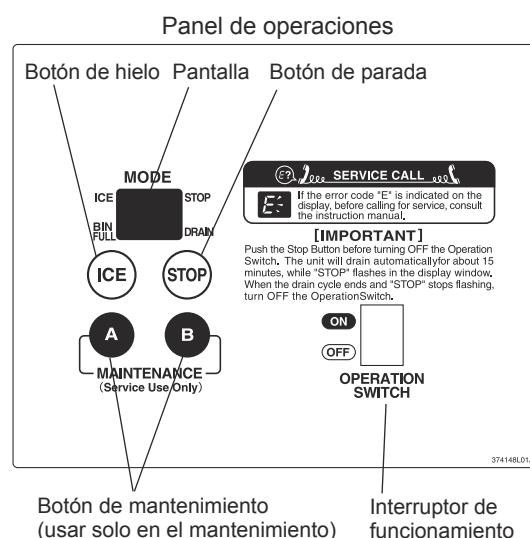


Modelo refrigerado por agua [b]



8. PROCEDIMIENTO DE PUESTA EN MARCHA

- 1) Verifique que el cable de alimentación está desconectado.
- 2) Lleve el interruptor de funcionamiento del panel de control a la posición "ON" (activado).
- 3) Abra la llave de paso de agua.
- 4) Conecte y active la alimentación eléctrica.
- 5) La pantalla se iluminará en el modo "ICE".
- 6) Debería producirse la siguiente secuencia:
 - a) Se llenará el depósito de agua.
 - b) El motor de engranajes arrancará.
 - c) El compresor se pondrá en marcha.



⚠ HIGIENE

Compruebe el estado y la calidad de la producción de hielo.

No use el hielo obtenido durante el periodo de prueba. Puede estar contaminado con cuerpos extraños del circuito del agua. Deseche o lave con agua el drenaje.

Limpie la cuba de almacenamiento antes de utilizarla (véase "III. 1. LIMPIEZA" en el Manual de instrucciones).

9. COMPROBACIONES FINALES

- 1) Compruebe que el voltaje sea correcto.
- 2) Compruebe que la máquina de hielo esté correctamente conectada a tierra.
- 3) Compruebe que la máquina de hielo no vibre.
- 4) Compruebe que los paneles estén bien fijados.
- 5) Compruebe que el funcionamiento sea correcto de acuerdo con "8. PROCEDIMIENTO DE PUESTA EN MARCHA".
- 6) Verifique el suministro de agua y las conexiones de drenaje en busca de fugas.
- 7) Indique al usuario el uso correcto de la máquina. Entregue el manual de instrucciones al usuario.

INFORMAZIONI IMPORTANTI SULLA SICUREZZA

All'interno del manuale compaiono degli avvertimenti che intendono attirare l'attenzione dell'operatore su situazioni che potrebbero causarne la morte, lesioni gravi o danneggiare l'apparecchio.

▲AVVERTENZA	Indica una situazione pericolosa che, se non evitata, potrebbe causare la morte o lesioni gravi.
▲ATTENZIONE	Indica una situazione pericolosa che, se non evitata, potrebbe causare lesioni di lieve o media entità.
AVVISO	Indica una situazione pericolosa che, se non evitata, potrebbe causare danni all'unità.
▲IGIENE	Indica importanti precauzioni per l'igiene e la sicurezza alimentare.
IMPORTANTE	Indica informazioni importanti in merito all'uso e alla manutenzione dell'unità.

IMPORTANTE

Al fine di installare il prodotto in modo sicuro e corretto, si raccomanda di leggere prima attentamente il presente manuale e di seguire le istruzioni in esso contenute.

Una volta completata l'installazione, avviare la macchina per verificare che non presenti anomalie. Istruire l'utente in merito all'uso e alla manutenzione della macchina in conformità a quanto riportato nel manuale.

Il presente manuale deve essere consegnato all'utente dopo l'installazione, perché lo conservi insieme al manuale di istruzioni per eventuali necessità di consultazione.

▲AVVERTENZA

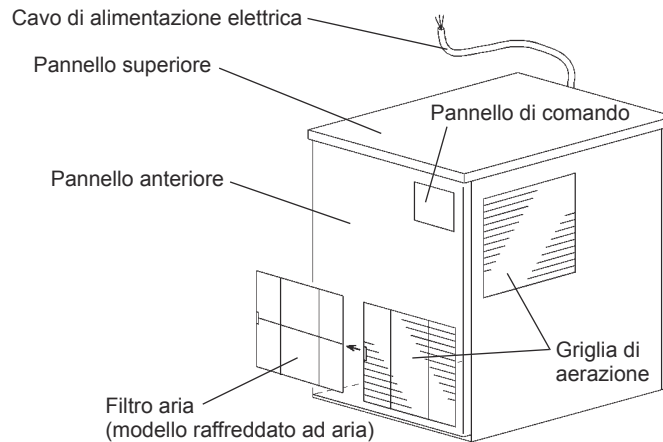
Questa è una macchina industriale e deve essere utilizzata esclusivamente per gli impieghi per la quale è stata espressamente progettata e collegata a un deposito di raccolta cubetti appropriato specificato da Hoshizaki.

Qualunque altro impiego è da considerarsi improprio e pertanto pericoloso. La casa costruttrice declina ogni responsabilità per eventuali danni provocati da uso improprio, non corretto o sconsiderato.

L'installazione e, se necessario, lo spostamento, devono essere eseguiti da personale specializzato, in conformità alle norme vigenti e alle istruzioni della casa costruttrice.

Mantenere prive di ostruzioni le aperture di ventilazione della custodia della macchina o della struttura incorporata.

1. COMPONENTI



2. ACCESSORI

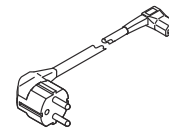
	Raffreddamento ad aria	Raffreddamento ad acqua
CD	1	1
Staffa di fissaggio	2	2
Cavo di alimentazione elettrica	1	1
Tubo di entrata	1	1
Tubo flessibile d'uscita	1	1
Attacco 1/2-3/4	-	1
Attacco 3/8-3/4	-	1
Copriconnettore	1	1



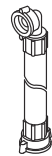
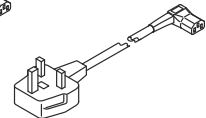
CD



Staffa di fissaggio



Cavo di alimentazione elettrica



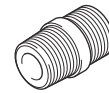
Tubo di entrata



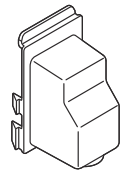
Tubo flessibile d'uscita



Attacco 1/2-3/4



Attacco 3/8-3/4



Copriconnettore

3. DISIMBALLAGGIO

⚠ AVVERTENZA

Tenere gli elementi d'imballaggio (sacchetti in plastica e polistirolo espanso) lontano dalla portata dei bambini, perché potenzialmente pericolosi.

⚠ ATTENZIONE

Non sollevare o maneggiare il cartone mediante il nastro d'imballaggio.

Quando si sposta l'unità manualmente, rimuovere i pannelli e afferrare l'intelaiatura dell'unità.

Indossare sempre guanti protettivi per trasportare l'unità.

Per evitare il rischio di lesioni, lavorare sempre in coppia quando si movimenta la scatola o l'unità disimballata.

AVVISO

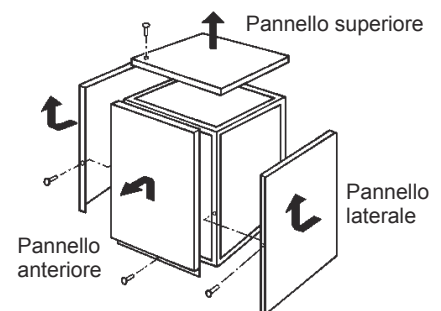
Rimuovere il cartone d'imballaggio, il nastro/i e l'imballaggio. La macchina non funziona in modo corretto se non si rimuove tutto il materiale d'imballaggio.

La macchina deve essere dotata di un deposito di raccolta cubetti. Il deposito di raccolta cubetti raccomandato è HOSHIZAKI ICE STORAGE BIN, modello B-300SD(PD) o B-500SD(PD) con kit superiore - 8C, B-700SD(PD) con kit superiore - 22C, oppure B-900SD(PD) con kit superiore - 22C e kit superiore - 8C.

1) Dopo la rimozione dell'imballaggio, accertare che la macchina e il deposito di raccolta cubetti siano in buone condizioni. Qualora sorgano dubbi in merito, non utilizzare la macchina ma rivolgersi a personale qualificato. Per le indicazioni di disimballaggio e installazione si veda il relativo foglio d'istruzioni allegato al deposito di raccolta cubetti.

2) Togliere il nastro adesivo che fissa i pannelli.

3) Rimuovere i pannelli anteriore, superiore e laterali.



Pannello superiore: rimuovere la vite. Sollevare.

Pannello anteriore: rimuovere la vite. Sollevare e tirare verso di sé.

Pannello laterale: rimuovere le viti. Tirare leggermente verso di sé.

ITALIANO

- 4) Rimuovere l'imballaggio contenente gli accessori. Verificarne il contenuto secondo quanto riportato al punto "2. ACCESSORI".
- 5) Rimuovere dai pannelli la pellicola protettiva in plastica. In caso di esposizione al sole o a fonti di calore, rimuovere la pellicola dopo aver lasciato raffreddare la macchina.

4. UBICAZIONE

⚠AVVERTENZA

La macchina non è adatta per essere utilizzata all'aria aperta.

La macchina non deve essere ubicata in prossimità di forni, grill o altri apparecchi che producono calore.

La macchina non è adatta per l'installazione in un'area in cui è possibile utilizzare un getto d'acqua.

⚠ATTENZIONE

Il pavimento su cui poggia deve garantire alla macchina una base solida e piana.

AVVISO

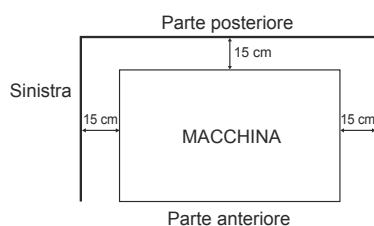
Non posizionare alcun oggetto sulla sommità della macchina e davanti alla sfinestratura.

IMPORTANTE

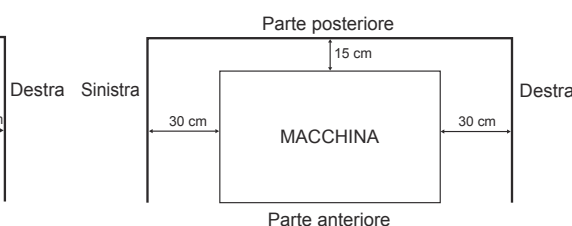
La normale temperatura ambiente d'esercizio deve essere compresa tra 5°C e 40°C. Il collegamento all'approvvigionamento dell'acqua è solo per acqua fredda. Il prolungato funzionamento della macchina con valori che non rientrano nelle gamme previste può comprometterne la capacità di produzione.

Lasciare uno spazio equivalente a quello sotto specificato in modo da favorire la circolazione dell'aria e le eventuali operazioni di manutenzione o servizio.

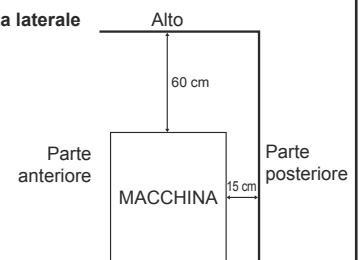
Vista superiore (eccetto FM-600AKE)



Vista superiore (solo FM-600AKE)



Vista laterale



In alcuni ambienti ad alta umidità, potrebbe formarsi della condensa all'interno della macchina che si riversa poi sul pavimento. Non installare la macchina su un pavimento che potrebbe danneggiarsi a causa dell'acqua.

5. INSTALLAZIONE

⚠ATTENZIONE

L'installazione non corretta può provocare lesioni alle persone, agli animali e danni materiali, per i quali la casa costruttrice declina ogni responsabilità.

- 1) Avvitare completamente i quattro piedini in dotazione (accessori del deposito) sulla parte inferiore del deposito di raccolta cubetti.
- 2) Posizionare il deposito di raccolta cubetti nel luogo d'installazione permanente prescelto.

[Tranne FM-170]

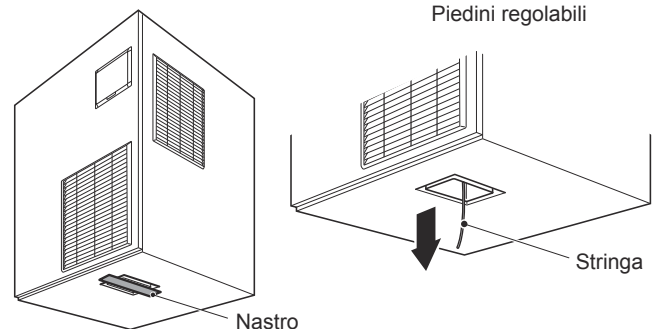
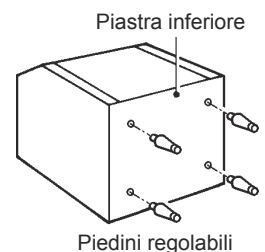
- 3) Rimuovere il nastro dall'apertura dello scivolo nella parte inferiore della macchina.

[Tranne FM-170]

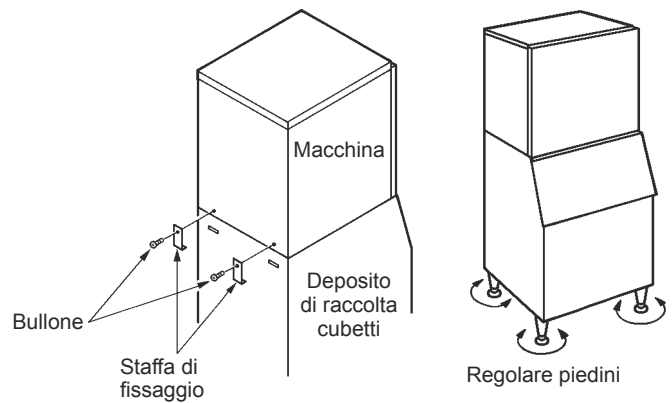
- 4) Abbassare l'estremità della stringa che fuoriesce dall'apertura dello scivolo per rimuovere l'intero cuscinetto.

Nota: se viene attivata l'alimentazione con il cuscinetto lasciato all'interno, la macchina non visualizzerà l'indicazione "DEPOSITO PIENO" sul display.

- 5) Afferrandone il fondo, collocare la macchina sopra il deposito di raccolta cubetti.



- 6) Fissare la macchina al deposito di raccolta cubetti, servendosi delle due staffe di montaggio e dei due bulloni in dotazione.
- 7) Sigillare la linea di giunzione fra la macchina e il deposito di raccolta cubetti mediante sigillante per alimenti.
- 8) Rimontare i pannelli laterali in modo corretto.
- 9) Regolare i quattro piedini del fondo (regolabili da 0 a 25,4 mm), in modo che la macchina sia perfettamente orizzontale. Utilizzare una livella a bolla d'aria.



6. COLLEGAMENTI ELETTRICI

⚠ AVVERTENZA

LA MACCHINA DEVE ESSERE COLLEGATA A MASSA

La macchina deve essere collegata a massa in modo da soddisfare le norme elettriche a livello locale e nazionale.

Per prevenire gravi lesioni da scosse elettriche alle persone e seri danni alla macchina, collegare alla medesima un idoneo cavo di massa.

Scollegare l'alimentazione principale prima di eseguire qualsiasi intervento di manutenzione, riparazione o pulizia.

* Questa macchina richiede un'alimentazione separata a 220 - 240VAC, 17A (FM-1000, 600) / 12A (FM-750, 480) / 8A (FM-300) / 7A (FM-170). L'alimentazione elettrica deve essere protetta da un interruttore automatico adeguato.

* Per eseguire interventi elettrici sono solitamente necessari un permesso specifico nonché l'assistenza di un elettricista qualificato.

[FM-1000, 600]

* All'occorrenza, il cavo di alimentazione elettrica e la spina devono essere sostituiti solo da personale di servizio qualificato.

* Il cablaggio fisso deve comprendere un dispositivo di scollegamento dall'alimentazione, con una separazione di almeno 3 mm fra i contatti di tutti i poli.

[FM-750, 480, 300, 170]

* Se il cavo di alimentazione è danneggiato, sostituirlo con un cavo di ricambio reperibile presso il centro assistenza/ricambi Hoshizaki.

Solo per il Regno Unito e la Repubblica d'Irlanda

* I fili del cavo di alimentazione sono colorati in base al seguente codice:
verde e giallo = massa
blu = neutro
marrone = sotto tensione

Dato che i colori dei fili del cavo di alimentazione della macchina possono non corrispondere ai contrassegni colorati che identificano i terminali della spina dell'utente, procedere come segue.

Il filo verde e giallo deve essere collegato al terminale della spina contrassegnato dalla lettera E o dal simbolo \perp o di colore verde o verde e giallo. Il filo blu deve essere collegato al terminale della spina contrassegnato dalla lettera N o di colore nero. Il filo marrone deve essere collegato al terminale contrassegnato dalla lettera L o di colore rosso.

* Se le prese a muro, nel luogo dell'installazione, non sono adatte alla spina appartenente alla dotazione del prodotto, togliere la spina (tagliandola se è del tipo pressofuso) e sostituirla con una spina adatta.

Se dal cavo di alimentazione elettrica è stata tagliata una spina di tipo non riciclabile, smaltirla. Non cercare di riutilizzarla. Inserire una spina del genere in una qualsiasi altra presa comporta un forte rischio di scosse elettriche.

* La spina non riciclabile non va mai utilizzata senza aver montato un coprifusibile.

Per individuare il corretto ricambio del coprifusibile smontabile, leggere il numero di riferimento della casa costruttrice impresso sulla spina.

I coprifusibile possono essere reperiti presso il centro assistenza/ricambi Hoshizaki.

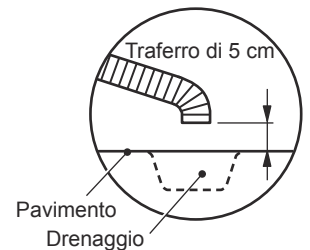
I fusibili devono essere di 12 A e con approvazione BS 1362.

7. COLLEGAMENTO DI ALIMENTAZIONE DELL'ACQUA E COLLEGAMENTO DI SCARICO

⚠ AVVERTENZA

Collegare solo all'approvvigionamento dell'acqua potabile fredda.

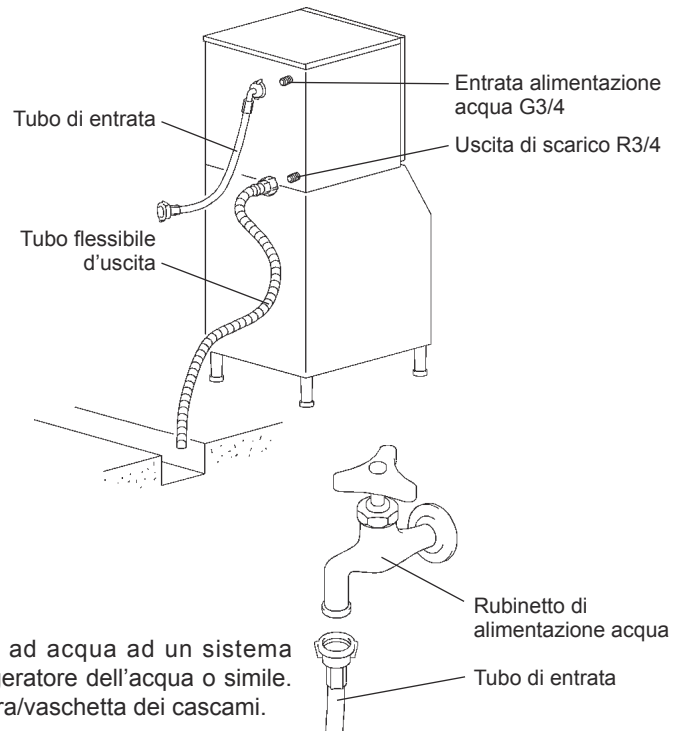
- * I collegamenti all'approvvigionamento idrico di rete devono essere eseguiti in conformità ai requisiti vigenti delle norme relative all'approvvigionamento dell'acqua e ai raccordi dell'acqua.
- * L'acqua utilizzata per la fabbricazione del ghiaccio deve essere potabile. Laddove la qualità dell'acqua può causare disincrostazione,
 - è consigliabile l'installazione di un filtro esterno o di un addolcitore. Contattare un esperto in trattamenti idrici locale o un agente dell'assistenza Hoshizaki.
 - È consigliabile impostare la modalità con flusso di scarico completo. Contattare il locale centro di assistenza Hoshizaki.
- * La pressione dell'approvvigionamento dell'acqua deve essere di minimo 0,05 MPa (0,5 bar) e massimo 0,8 MPa (8 bar). Se la pressione è superiore a 0,8 MPa (8 bar), utilizzare una valvola limitatrice di pressione appropriata. **NON** strozzare il rubinetto dell'acqua.
- * In alcune località, per eseguire lavori idraulici sono necessari un permesso specifico nonché l'assistenza di un idraulico qualificato.
- * La macchina è caratterizzata da un flusso di drenaggio a gravità: assicurarsi che il tubo di scarico abbia una pendenza adatta.
- * I circuiti di scarico non devono essere installati direttamente nella rete fognaria. È necessario lasciare un traferro verticale di minimo 5 cm tra l'estremità dei tubi di scarico dalla macchina e il deposito di raccolta cubetti e lo scarico a pavimento.
- * Nei modelli con raffreddamento ad acqua può essere necessario applicare nell'impianto di raffreddamento un dispositivo contro il riflusso.
- * Assicurarsi di utilizzare i nuovi set di tubi forniti con l'apparecchio. Non riutilizzare i set di tubi vecchi.



[Modello raffreddato ad aria]

Modello raffreddato ad aria

- 1) Collegare l'estremità a gomito del tubo di entrata (flessibile, accessorio) al raccordo G3/4, situato sul lato posteriore della macchina, come indicato, facendo attenzione che la rondella di tenuta in gomma sia posizionata in modo corretto. Serrare a mano quanto basta a evitare perdite.
- 2) Collegare al rubinetto dell'acqua l'altra estremità del tubo flessibile di entrata, facendo attenzione che la rondella sia posizionata correttamente prima di serrare a mano come descritto in precedenza. È consigliabile per precauzione inserire una valvola di arresto in posizione facilmente accessibile.
- 3) Serrare a mano il tubo di uscita (flessibile grigio, accessorio) sul raccordo R3/4 sul lato posteriore della macchina come indicato, facendo attenzione che la rondella in gomma sia posizionata in modo corretto, per garantire un accoppiamento a tenuta stagna. Il tubo può essere tagliato alla lunghezza necessaria per adattarsi alla posizione dello scarico principale.



[Modello raffreddato ad acqua]

- * Hoshizaki consiglia di collegare il condensatore raffreddato ad acqua ad un sistema dell'acqua a circolazione chiusa per mezzo di una torre, un refrigeratore dell'acqua o simile. L'alimentazione dell'acqua deve percorrere il gruppo valvola a sfera/vaschetta dei cascami.
- * Collegare un condensatore raffreddato ad acqua all'alimentazione principale dell'acqua potabile non condiziona le prestazioni della macchina, ma provoca nella maggior parte dei casi un elevato consumo (spreco) di una risorsa preziosa e pertanto non è consigliato.
- * Per assicurarsi che l'installazione sia corretta, rivolgersi ai servizi di un idraulico specializzato e autorizzato.

* I collegamenti devono essere realizzati in modo corretto, in conformità alle norme in vigore a livello nazionale e locale.

[a] Collegamenti standard conformi alle norme WRAS nel Regno Unito.

* Nello scegliere una torre di raffreddamento, considerare i seguenti valori di picco del flusso di calore nel condensatore:

Modello FM-600AWKE(-N):	3797 W
FM-480AWKE(-N):	3325 W

* I condotti tra la torre di raffreddamento e la macchina devono avere un diametro minimo di 20 mm, in modo da ridurre la perdita di pressione, anche se i raccordi della macchina hanno un diametro di 13 mm.

* La perdita di pressione nel sistema dell'acqua all'interno dell'unità equivale a 5-6 m, quando l'acqua di raffreddamento scorre alla portata di 4-5 l/min.

* Scegliere una pompa di circolazione in base ai suddetti valori del flusso di calore.

[Connessioni macchina]

- 1) Collegare l'estremità a gomito del tubo di entrata (flessibile, accessorio) al raccordo G3/4, situato sul retro della macchina, come indicato, facendo attenzione che la rondella di tenuta in gomma sia posizionata in modo corretto. Serrare a mano quanto basta a evitare perdite.
- 2) Collegare al rubinetto dell'acqua l'altra estremità del tubo flessibile di entrata, facendo attenzione che la rondella sia posizionata correttamente prima di serrare a mano come descritto in precedenza.

Nota: qualora l'acqua venga filtrata o trattata, assicurarsi che solo la sezione macchina sia collegata all'alimentazione dell'acqua trattata e non il condensatore.

- 3) Collegare il tubo di uscita (flessibile grigio, accessorio) al raccordo R3/4, situato sul retro della macchina, come indicato, verificando che la rondella in gomma sia posizionata in modo corretto prima di serrare a mano l'accoppiamento. Il tubo può essere tagliato alla lunghezza necessaria per adattarsi alla posizione dello scarico principale.

- 4) Per mezzo di una chiave adatta, serrare gli attacchi 1/2-3/4 e 3/8-3/4 (accessorio) ai condotti Rc1/2 e Rc3/8, situati sul retro della macchina, come indicato. Per ottenere un accoppiamento a tenuta stagna, utilizzare le apposite guarnizioni e/o il nastro PTFE.

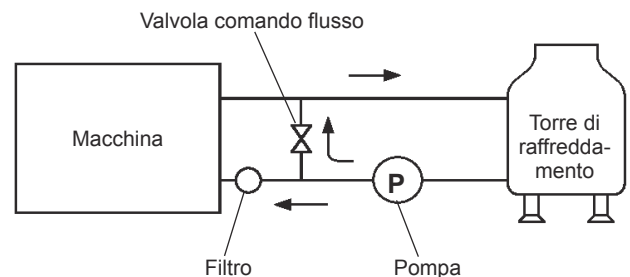
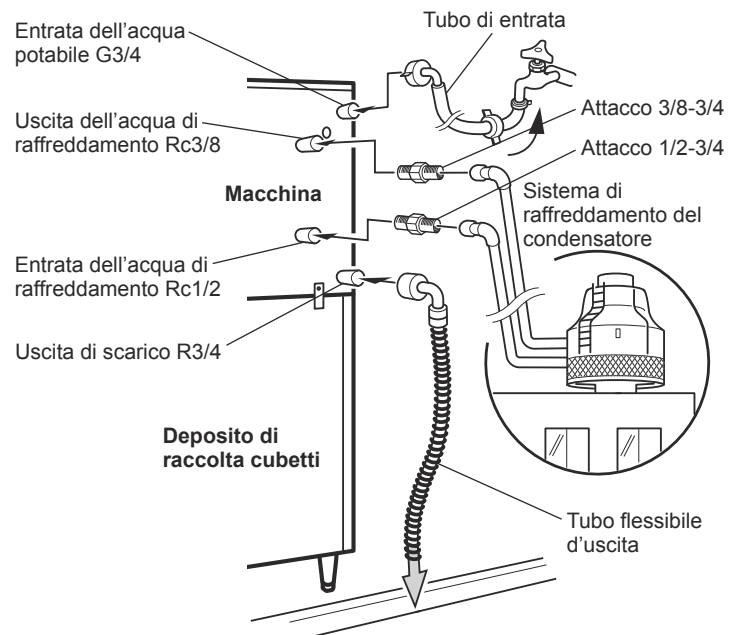
Nota: gli ermetici devono essere approvati e adatti all'uso con acqua potabile.

- 5) Collegare il circuito di raffreddamento del condensatore all'estremità disponibile degli attacchi 1/2-3/4 e 3/8-3/4, come mostrato, per mezzo di un tubo rigido adatto.

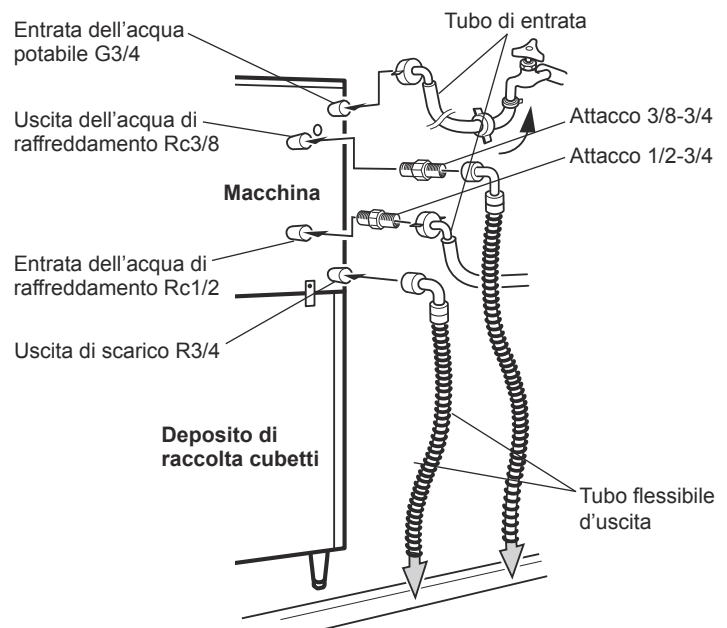
[b] Collegamenti conformi a norme diverse da quelle WRAS mediante tubi ausiliari

- 1) Procedere in base alle istruzioni da 1) a 4) della sezione [a].
- 2) Per i collegamenti del condensatore, utilizzare i tubi ausiliari in dotazione e realizzare gli stessi collegamenti come da 1) a 3) della sezione [a] con le parti disponibili degli attacchi 1/2-3/4 e 3/8-3/4, come mostrato.

Modello raffreddato ad acqua [a]

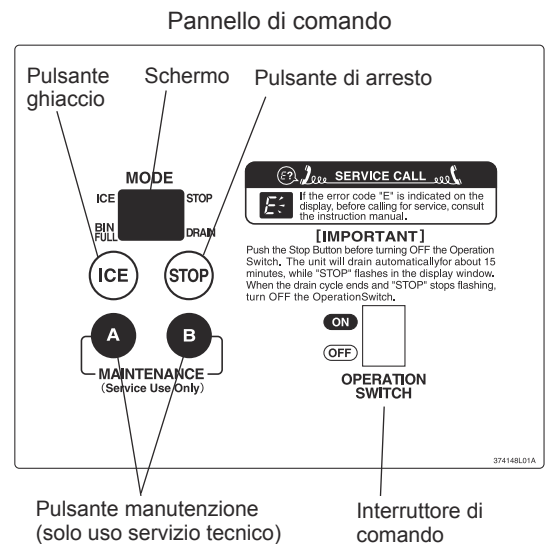


Modello raffreddato ad acqua [b]



8. PROCEDURA DI AVVIO

- 1) Verificare che il cavo di alimentazione elettrica sia scollegato.
- 2) Spostare in posizione "ON" l'interruttore di comando posto sul pannello di comando.
- 3) Aprire il rubinetto di alimentazione dell'acqua.
- 4) Collegare e inserire l'alimentazione elettrica.
- 5) Lo schermo si illumina in modalità "ICE".
- 6) Nell'ordine, devono verificarsi le seguenti operazioni:
 - a) Il serbatoio dell'acqua si riempie.
 - b) Il motorino con riduttore ad ingranaggi si avvia.
 - c) avviamento del compressore.



▲ IGIENE

Verificare le condizioni e la qualità della produzione di cubetti.

Non utilizzare i cubetti prodotti durante il ciclo di prova. Potrebbero essere contaminati da sostanze estranee presenti nel circuito dell'acqua. Eliminarli o farli scendere nello scarico.

Pulire il deposito di raccolta cubetti prima dell'uso (vedi "III. 1. PULIZIA" nel Manuale di istruzioni).

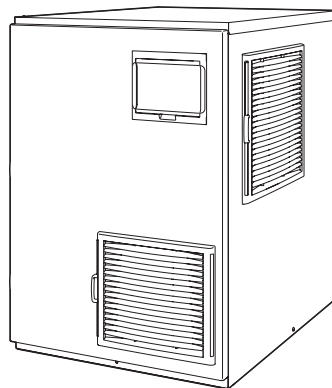
9. CONTROLLI FINALI

- 1) Verificare la corretta tensione di alimentazione.
- 2) Verificare che la macchina sia collegata a massa in modo corretto.
- 3) Assicurarsi che la macchina sia esente da vibrazioni.
- 4) Assicurarsi che tutti i pannelli siano fissati e bloccati.
- 5) Verificare il corretto funzionamento secondo quanto riportato al punto "8. PROCEDURA DI AVVIO".
- 6) Verificare l'assenza di perdite di acqua nel collegamento di alimentazione dell'acqua e in quello di scarico.
- 7) Istruire l'utente in merito all'utilizzo corretto della macchina. Consegnare il manuale di istruzioni all'utente.



商用组合式制冰机

安装说明书



仅供具备相应知识的安装人员使用

- 为安全、正确地执行本产品的安装作业，请务必事先仔细阅读本说明书并严格遵照其中的指示。
- 完成安装后，请启动制冰机确认是否存在异常现象。并根据使用说明书的要求指导用户如何使用和保养制冰机。
- 完成安装后，应将本说明书移交给用户，并由用户妥善保管本说明书和使用说明书，以便必要时参考使用。

生产商：**Hoshizaki Europe Ltd.**

Telford 70 Stafford Park 7, Telford,
Shropshire TF3 3BQ England

联系人：**星崎冷热机械(上海)有限公司**

上海市静安区南京西路580号南证大厦2802室 邮编：200041
电话：(021)5228-8181 传真：(021)5228-0113

FM-1000AKE
FM-1000AKE-N
FM-750AKE
FM-750AKE-N
FM-600AKE
FM-600AKE-N
FM-600AWKE
FM-600AWKE-N
FM-480AKE
FM-480AKE-N
FM-480AWKE
FM-480AWKE-N
FM-300AKE
FM-300AKE-N
FM-170AKE
FM-170AKE-N

L2F054203 (093014)

重要安全须知	1
1. 构造	2
2. 附件	2
3. 拆包	2
4. 设置位置	3
5. 安装	3
6. 电气连接	4
7. 供水和排水连接	4
8. 启动步骤	6
9. 最终确认事项	6

重要安全须知

本说明书提供可能导致死亡、严重受伤或损坏设备的注意事项，请用户使用时注意。

▲警告	表示如不可避免，则可能导致死亡或严重受伤的危险情况。
▲小心	表示如不可避免，则可能导致轻微受伤或中度受伤的危险情况。
注意	表示如不可避免，则可能导致本设备损坏的危险情况。
▲卫生	表示与卫生和食品安全相关的重要预防措施。
重要	表示与使用和维护本设备相关的重要信息。

▲警告

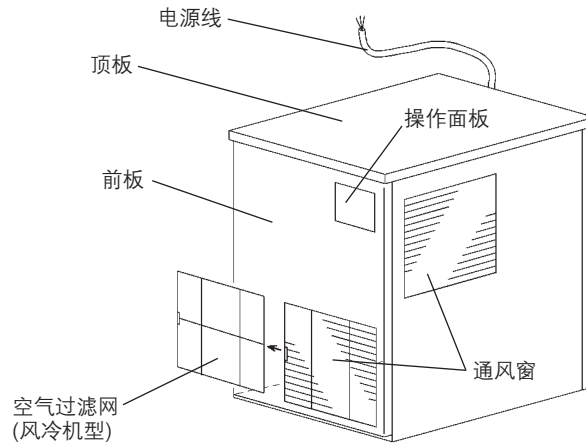
本制冰机为商用设备，仅适用于该设备所明确设计的用途，且仅可安装到星崎规定的合适的储冰箱上。其它任何用途都被视为不当用途，因而可能造成危险。对因本产品使用不当、使用不正确和不合理所造成的的任何损失，生产商不承担法律责任或相关责任。

安装及必要时的移机作业，必须交由具备相应知识的作业人员依照现行法规并根据生产商的说明进行。

保持机体内外通风口畅通无阻。

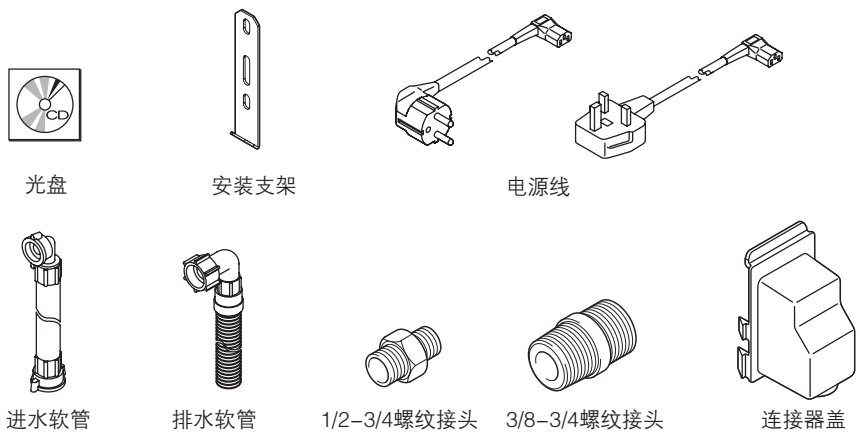
中文

1. 构造



2. 附件

	风冷型	水冷型
光盘	1	1
安装支架	2	2
电源线	1	1
进水软管	1	1
排水软管	1	1
1/2-3/4螺纹接头	-	1
3/8-3/4螺纹接头	-	1
连接器盖	1	1



3. 拆包

警告

包装零件(塑料袋和发泡聚苯乙烯等)存在潜在危险, 必须放置到儿童接触不到的地方。

小心

请勿使用搬运带提升或搬动纸箱。

手动搬动制冰机时, 请拆下面板并抓住边框。

搬运设备时, 请戴好防护手套。

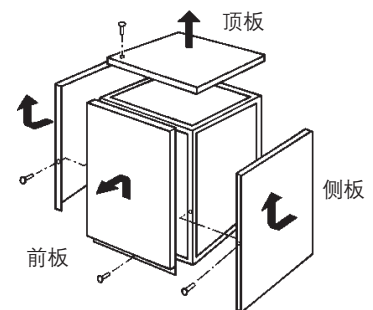
搬运纸箱或拆开包装的设备时, 请结伴作业, 以防止受伤。

注意

拆除运输包装纸箱、胶带和其它包装材料。如果内部遗留包装材料, 制冰机将无法正常工作。

本制冰机需使用储冰箱。建议使用型号为B-300SD(PD)或B-500SD(PD)(带顶部套件-8C)、B-700SD(PD)(带顶部套件-22C)或B-900SD(PD)(带顶部套件-22C和-8C)的星崎储冰箱。

- 1) 拆开包装后, 请检查并确认制冰机和储冰箱状态完好。如有任何疑问, 请勿使用本产品, 而应与具备相应资质的专业人员联系。有关拆包和安装指示, 请参见储冰箱附带的使用说明。
- 2) 请撕下固定面板的运输用胶带。
- 3) 拆下前板、顶板以及侧板。
- 4) 打开包装的附件。参照“2.附件”检查附件。
- 5) 撕掉面板上的塑料防护膜。如果制冰机暴露于阳光下或热源下, 请待制冰机冷却后再撕掉塑料防护膜。



- 顶板: 拆下螺钉。向上提。
 前板: 拆下螺钉。将前面板上提并向外拉动。
 侧板: 拆下螺钉。略微向外拉。

4. 设置位置

⚠警告

本制冰机不适合在户外使用。

不得将制冰机安装在靠近火炉、烤箱或其它会产生高温的设备附近。

本产品不适合安装在可能使用喷水器的区域。

⚠小心

制冰机应安装在坚实、平坦的地面上。

注意

请勿在制冰机上方或通风窗前方放置任何物品。

重要

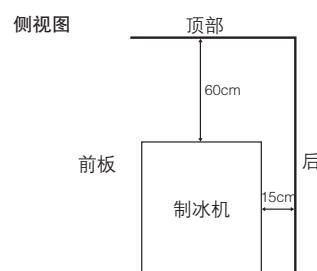
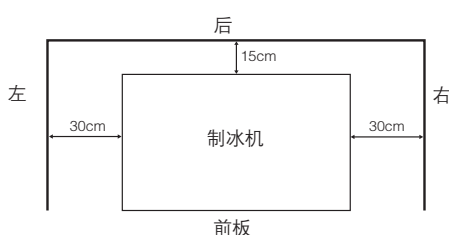
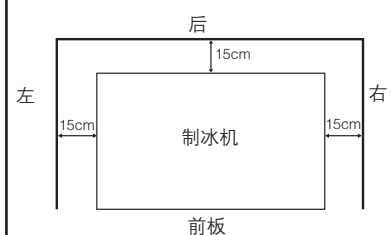
正常工作环境温度应为5℃~40℃。供水管路只可连接冷水。如果制冰机长时间超出上述正常温度范围工作，可能会影响制冰能力。

必须留出以下指定的空间，以确保通风顺畅和便于维修保养。

顶视图(FM-600AKE机型除外)

顶视图(仅限FM-600AKE机型)

侧视图



高湿度环境下，机器内部可能会产生冷凝水，从而滴在地上。因此，请勿将其安装在因滴水易受损坏的地板。

5. 安装

⚠小心

错误的安装会导致人员、动物受伤或其它物品受损，生产商对由此造成的损害不承担责任。

1) 将附带的四条支脚(储冰箱附件)完全拧入储冰箱底部。

2) 请将储冰箱安装在固定的位置。

[FM-170机型除外]

3) 拆下制冰机底部冰槽开口上的胶带。

[FM-170机型除外]

4) 从冰槽开口处下拉细绳一端，以拆下整个保护垫。

注：若在保护垫仍留在制冰机内的情况下接通电源，则制冰机不启动，并且显示屏上将显示“储冰箱满”。

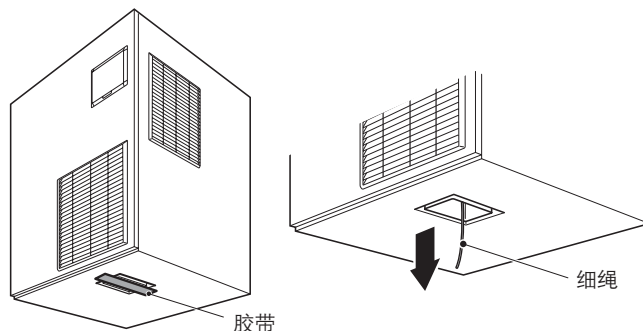
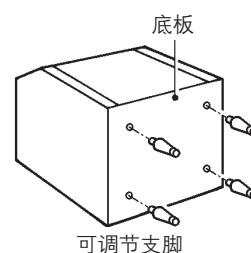
5) 托住制冰机底部，将其放于储冰箱顶部。

6) 用附带的两个安装托架和两个螺栓将制冰机固定至储冰箱上。

7) 用食品级密封剂密封制冰机和储冰箱之间的接合处。

8) 将侧板装回原位。

9) 调整底部的四条支脚(调整量：0~25.4mm)，确保制冰机完全处于水平位置。请使用水平仪。



6. 电气连接

警告

本制冰机必须接地

本制冰机必须按所在国家和地区的电气安全标准进行接地。

为避免造成人体触电或设备严重受损，请在制冰机上正确地连接地线。

进行任何保养、维修或清洁作业前，请切断主电源。

* 本制冰机需要单独的电源：220 ~ 240VAC, 17A (FM-1000、600) / 12A (FM-750、480) / 8A (FM-300) / 7A (FM-170)。而且必须采用合适的断路器保护电源。

* 通常情况下，应由持有电工资质证书或经授权的维修人员进行作业。

[FM-1000、600]

* 如需更换电源线和/或电源插头，必须交由具备相应知识的维修人员进行作业。

* 固定接线必须采用一种断电装置，其所有极端的接点间隔至少应达到3mm。

[FM-750、480、300、170]

* 若电源线已破损，则需更换星崎零部件/维修中心提供的电源线。

7. 供水和排水连接

警告

请仅连接至饮用水(冷水)供水管。

* 总供水管线的连接方式必须符合国家当前《供水和供水连接规定》的相关要求。

* 制冰用水必须为饮用水。在易因水质问题而产生水垢的场合，建议安装一台外部过滤器或软水装置。相关事宜，敬请垂询当地的专业水处理机构或星崎维修机构。

* 供水水压必须在0.05MPa(0.5bar)~0.78MPa(8bar)之间。如果水压超过0.78MPa(8bar)，则须采用适当的减压阀。请勿关闭供水龙头。

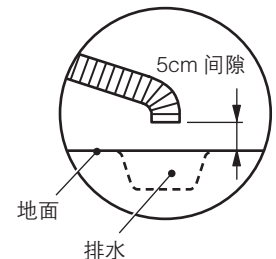
* 在部分地区，制冰机进水和排水管道的安装人员应持有水管工资质证书。

* 制冰机排水靠重力流动，因此应保证排水软管具有足够的坡度或落差。

* 不得将排水管路直接连接至下水道系统。制冰机和储冰箱的排水软管末端与地面排水之间至少需留出5cm的垂直空隙。

* 对于水冷机型，可能需要在冷却水路中安装一个防回流装置。

* 请务必使用本机附带的全新软管套件。请勿使用老旧的软管套件。

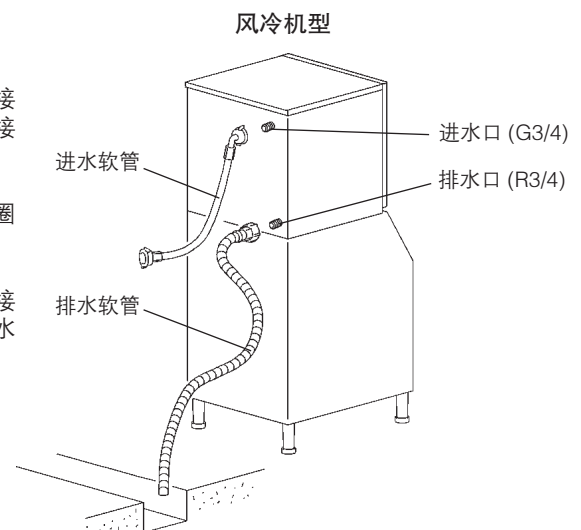


[风冷机型]

1) 如图所示，将挠性进水软管(附件)的弯角端连接到制冰机后部的G3/4管接头上，并确认橡胶密封垫圈已正确就位。手动充分拧紧垫圈，以防止接头漏水。

2) 将进水软管的另一端连接到供水龙头，并在如上所述手动拧紧前检查垫圈是否正确就位。最好在易于触及的部位安装一个截止阀。

3) 如图所示，将灰色挠性排水软管(附件)手动紧固至制冰机后部的R3/4管接头上，并确认橡胶密封垫圈已正确就位，以防止接头漏水。可根据主排水口的位置将排水软管剪切到合适的长度。



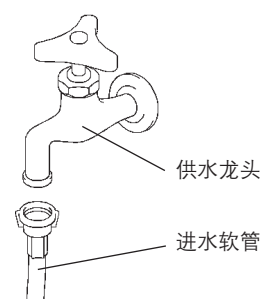
[水冷机型]

* 星崎建议将水冷型冷凝器连接到一个闭合循环型冷却系统，循环系统采用冷却塔、水冷却器或类似装置。水源补充应通过球阀/断流水箱来实现。

* 将水冷型冷凝器连接到总供水管线(饮用水)上不会影响本机的性能，但肯定会造成用水过量/严重的资源浪费，因此不建议使用这一方式。

* 应由持有水管工资质证书的人员进行正确的安装作业。

* 应根据国家或地方的适用法规正确实施连接作业。



[a] 符合英国《水务法规咨询计划》(WRAS)规定的标准连接

* 选择冷却塔时，请参照下列冷凝器的热流峰值。

FM-600AWKE(-N)机型：3797W

FM-480AWKE(-N)机型：3325W

* 为了减少压力损失，虽然制冰机管接头直径为13mm，冷却塔和制冰机之间的管线直径应至少为20mm。

* 当冷却水的流速为4~5L/min时，制冰机内水路的压力损失将为5~6m。

* 请参照上述热流值，选择合适的循环泵。

[制冰机的连接]

1) 如图所示，将挠性进水软管(附件)的弯角端连接到制冰机后部的G3/4管接头上，并确认橡胶密封垫圈已正确就位。手动充分拧紧垫圈，以防止接头漏水。

2) 将进水软管的另一端连接到供水龙头，并在如上所述手动拧紧前检查垫圈是否正确就位。

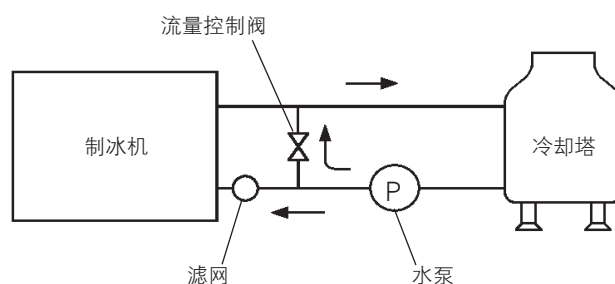
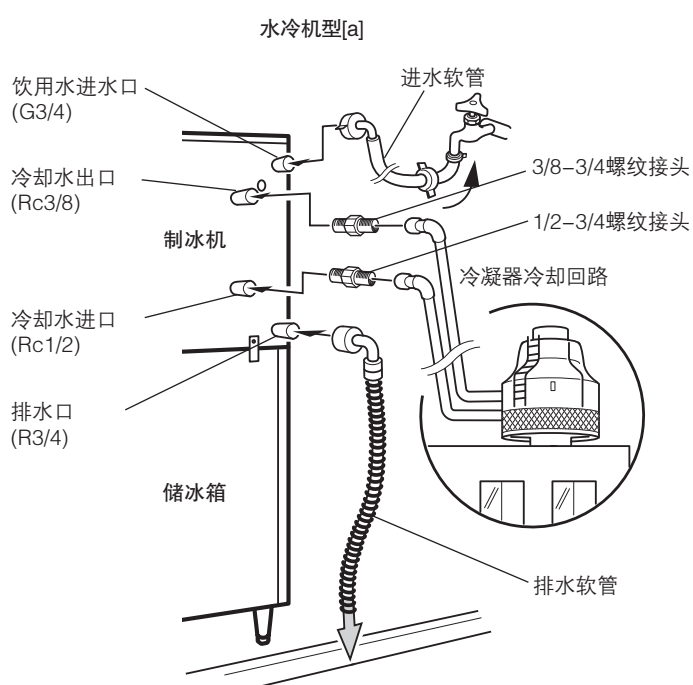
注：如果使用了过滤或水处理装置，应确保仅将处理水供水源连接至制冰机部分(而非冷凝器)。

3) 如图所示，将灰色挠性排水软管(附件)连接到制冰机后部的R3/4管接头上，并在最终手动拧紧接头前确认橡胶垫圈已正确就位。可根据主排水口的位置将排水软管剪切到合适的长度。

4) 如图所示，使用合适的扳手或扳钳将1/2-3/4和3/8-3/4螺纹接头(附件)紧固至制冰机后部的Rc1/2和Rc3/8管接头中，并使用P.T.F.E.胶带和/或合适的密封剂密封，以防止接头漏水。

注：接头密封剂必须经过有关部门批准并符合饮用水标准。

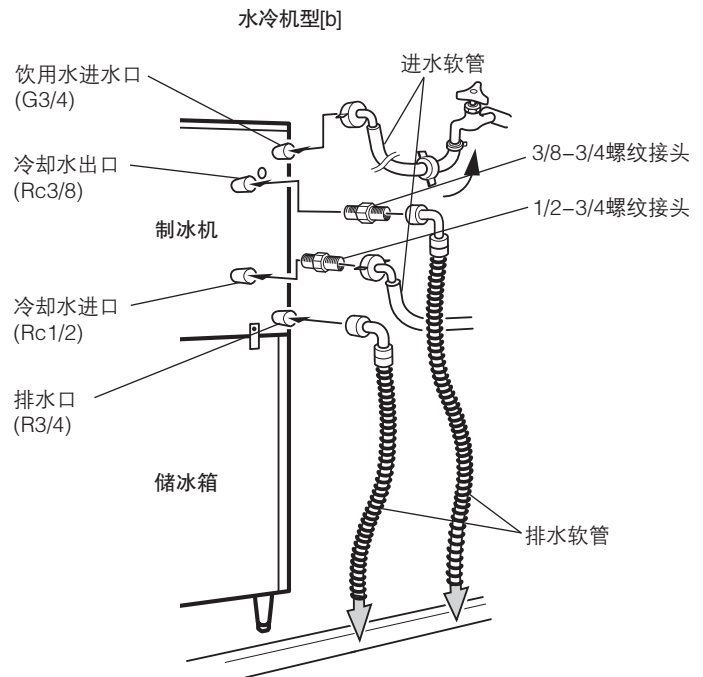
5) 如图所示，使用合适的刚性管将冷凝器冷却水路连接至1/2-3/4和3/8-3/4螺纹接头的自由端。



中文

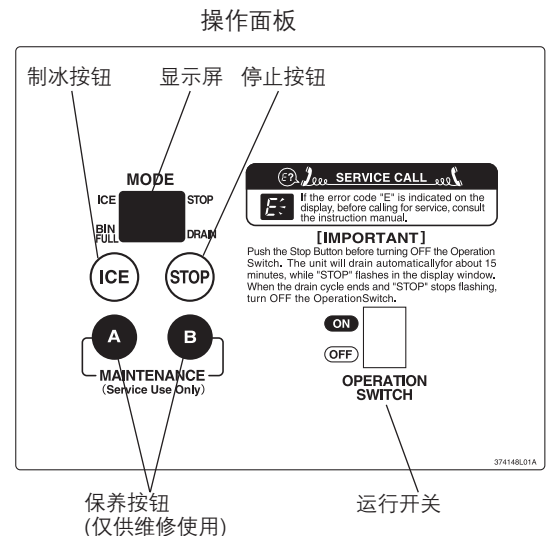
[b] 使用各种软管附件根据WRAS之外的规定进行的连接

- 1) 根据上文[a]中的步骤1)~4)进行操作。
- 2) 如图所示，在连接冷凝器时，请按照与上文[a]中的步骤1)~3)相同的连接方式将附带的软管附件连接到1/2-3/4和3/8-3/4螺纹接头上。



8. 启动步骤

- 1) 确认已拔下电源插头。
- 2) 将操作面板上的运行开关移至“ON” (打开)位置。
- 3) 打开供水龙头。
- 4) 连接电源插头并通电。
- 5) 显示屏将在“ICE” (制冰)模式下亮起。
- 6) 此时将依次发生下述过程：
 - a) 水箱中注满水。
 - b) 齿轮马达启动。
 - c) 压缩机启动。



▲ 卫生

检查制冰情况和质量。

请勿使用在试运行过程中制成的冰块，因为水路中可能含有水垢、二氧化硅、氧化钙或其它异物。请丢弃或冲走排水。

使用前须清洁储冰箱(参见使用说明书中的“III. 1. 清洁”)。

9. 最终确认事项

- 1) 检查电压是否正常。
- 2) 检查制冰机接地是否正确。
- 3) 检查制冰机是否存在振动。
- 4) 检查所有面板是否均以安装牢固。
- 5) 根据“8.启动步骤”，检查运行是否正常。
- 6) 检查供水及排水连接处是否漏水。
- 7) 指导用户正确操作本机。并将操作说明书交付给用户。