



FABRICANTES DE
MOLINOS DE CAFÉ

MANUFACTURERS
OF COFFEE GRINDERS

Molino de café profesional
para todo tipo de cafés

Professional coffee grinder
for all types of coffee.

LUXOMATIC 500W ALUMINIUM

COLLECTION ON DEMAND

TECHNICAL CHARACTERISTICS 0-500g/3' Max 4Kg

VOLTAGE: 230V / 220V / 110V
FREQUENCY: 50Hz / 60Hz
PHASES: 1 (monophase)
RPM: 1.300 / 1.600
CURRENT: 2,1A / 4,7A
CAPACITOR: 14nf / 55nf
POWER: 0,37Hp / 497W
PROTECTION RATING: IP21
MOTOR SUPPLIED WITH THERMAL PROTECTOR
MAXIMUM OPERATING TIME: 30min.

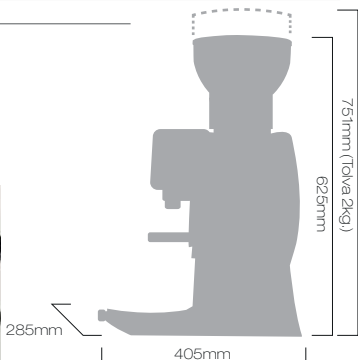
TEMPERED STEEL GRINDING WHEELS,(62HRc) ø 65mm
LIFESPAN OF GRINDING WHEELS: 500Kg
HOPPER CAPACITY: 1Kg
HOPPER OPTION: 2Kg

MULTI-LANGUAGE TOUCH SCREEN
SELECTION OF 1 OR 2 INSTANT GROUND COFFEE OR CONTINUOUS GROUND
COFFEE COUNTER PARTIAL OR TOTAL
ASSISTANT TIMER OF THE GRINDING POINT
DIMENSIONS WIDTH x LENGTH x HEIGHT: 285X405X625mm
WEIGHT: 17,5Kg
AIR NOISE: 55dB

Diseñado bajo directiva 89/392 CE.



Grinding blades in tempered steel
(62HRc) ø 65mm.



GREY METALLIC SILVER SNOW WHITE CHROME SILVER CHROME GOLD.



55dB



MAIN ATTRIBUTES

Hopper (1kg) made of unbreakable and non-deformable material (co.poliéster), with fast lock system and self-leveling when off the coffee grinder with the possibility of cleaning in a dishwasher at 90°C. – Micrometric regulation of the coffee grind using a regulatory pawl. – New expulsion system for the ground coffee (always living the grinding cavity clean when the coffee grinder stops). – Touch screen for easy programming and use (Language selection - Adjustment of the grinding program for each dose – Selection of 1 dose, 2 doses or continuous grinding – Coffee counter partial or total). – Integrated coffee tamper with mobile positioner. – Aluminium bodywork made in two parts, especially designed for ventilation, with floating attachment of the inner motor body. – Bodywork finished in painted metallic silver-grey, snow white, chromed gold or chromed silver. – Motor assembly with an anti-vibration system using a pneumatic ring. – Silencer 500W motor with internal auto-ventilation, “55dB”. – Hardened steel grinding blades (62/65HRc) 65mm in diameter.

Optional: - Personalisation system with chromed plaque on the back of the grinder. – Admits hopper of 2 kg. – Titanium-coated burrs (62/63 HRc) 65mm diameter, 2.000 kg. – Red speed coated burrs (62/63 HRc) 65mm diameter, 3.000 kg.

