



Modular ice maker up to 300 kg - Scale system

Hotel	████████████████████
Restaurant	████████████████████
Fast food	████████████████████
Bar	████████████████████
Disco	████████████████████
Fish market	████████████████████
Supermarket	████████████████████
Medical & SPA	████████████████████
Industry	████████████████████

► Position n°



► Features & Plus

- Sub-cooled scale ice
- 1l (water) - 1kg (ice) - only Air cooled
- AISI 304 SS Scotch Brite finish
- Tropical class +43°C
- Specific volume 1 m³ = 650 kg of ice
- Vertical fixed “no leak” evaporator
- Anticorodal alloy evaporator
- Cleanable antiscala filter
- Air or water cooling system
- FDA approved - ABS plastic components
- Easy cleanable internal rounded surfaces
- RoHS Free
- Electromechanical operation
- Automatic water charge
- Standard and special voltages
- Frame in INOX



Vertical fixed “no leak” evaporator



Cleanable antiscala filter



Frame in INOX

► Usable Bins

- Bin 200
- Bin 350

► Prod. 24h

Air temp.	Air temp.		Water temp.		Kg	Lbs
	10° C	50° F	10° C	50° F		
	21° C	70° F	15° C	60° F		
					300	661
					250	551

2 Years Warranty
subject to limitations

► Certifications available for this model



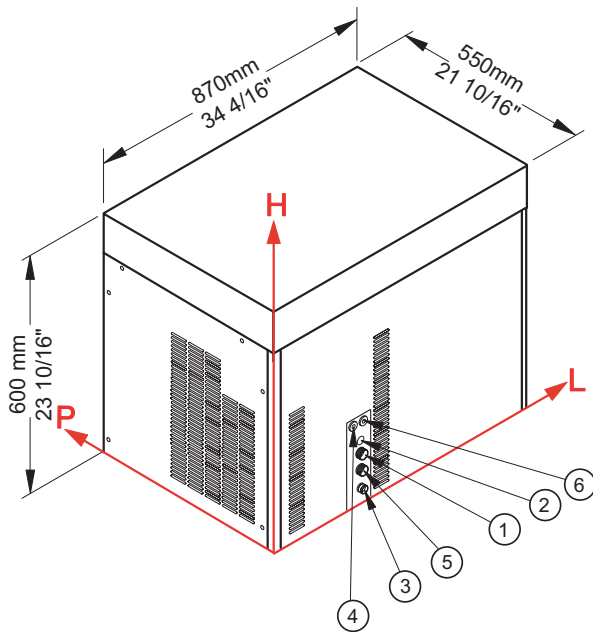


Ice Scales

Muster 250



Modular ice maker up to 300 kg - Scale system



► Working conditions

- Location: **Indoor**

	Min	Max
Ambient temperature	+10° C / +50° F	+43° C / 110° F
Water temperature	+3° C / +37° F	+32° C / +90° F
Voltage	-10%	+10%
Water inlet pressure	1bar (14 psi)	6bar (84 psi)

► Performances

	Air temperature	Water temperature						
			10° C	50° F	15° C	60° F	21° C	70° F
	10° C	300 kg						
	50° F	661 lbs						
	21° C		250 kg					
	70° F			551 lbs				
	32° C				200 kg			
	90° F					441 lbs		

► Connections

All misure are referred to the down-left corner (L-H-Ø)

- ① Water in.: 279 mm / 11" - 140 mm / 5 8/16" - 3/4"
- ② Cond. water in.: 279 mm / 11" - 195 mm / 7 11/16" - 3/4"
- ③ Water out.: 279 mm / 11" - 45 mm / 1 12/16" - 24 mm / 15/16"
- ④ Electrical connections: 258 mm / 10 3/16" - 247 mm / 9 12/16"
- ⑤ Cond. water out.: 279 mm / 11" - 90 mm / 3 9/16" - 24 mm / 15/16"
- ⑥ Remote connections.: 298 mm / 11 12/16" - 247 mm / 9 12/16"
- ② ③ Only for water cooling systems

► Technical information

Production in 24h	250 kg / 551 lbs	Sizes (L-P-H mm)	870 - 550 - 600
Cooling system	A - W	(L-P-H in)	34 4/16 - 21 10/16 - 23 10/16
Refrigerant	R404A	Sizes with pack (L-P-H mm)	955 - 625 - 770
Standard voltage	220-240 V ~ 50 Hz	(L-P-H in)	37 10/16 - 24 10/16 - 30 5/16
Electrical consumption	1700 W	Net weight	100 kg / 220 lbs
Fuse	16 A	Gross weight	120 kg / 265 lbs
Water consumption	A: 1 l/kg - 12,0 gal/100 lbs	Finish	AISI 304 stainless steel, scotch brite
	W: 7,5 l/kg - 89,9 gal/100 lbs		

All the technical information need to be considered at the following conditions:
 Ambient temperature +21° C
 Water temperature +15° C
 Electrical consumption at +43° C (standard voltage)

Models and specifications are subject to change without notice



BREMA ICE MAKERS SPA

Via dell'Industria 10,
20020 Villa Cortese (MI), Italy

tel. +39 0331 434811
fax +39 0331 433833

www.bremaice.it
info@bremaice.it

Bim + Data download



We are Brema

