



**SHELL ASSY**

**COOLING SYSTEM**

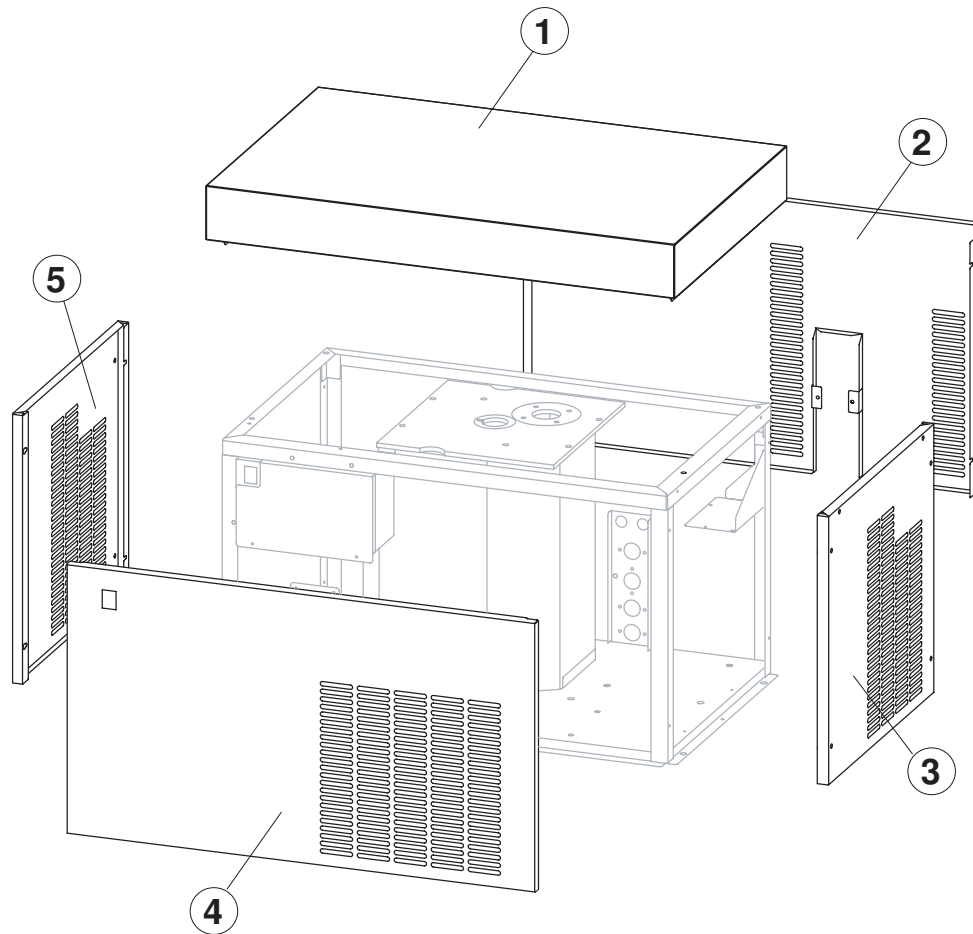
**EVAPORATOR**

**GRUPPO FRIGORIFERUMPA**

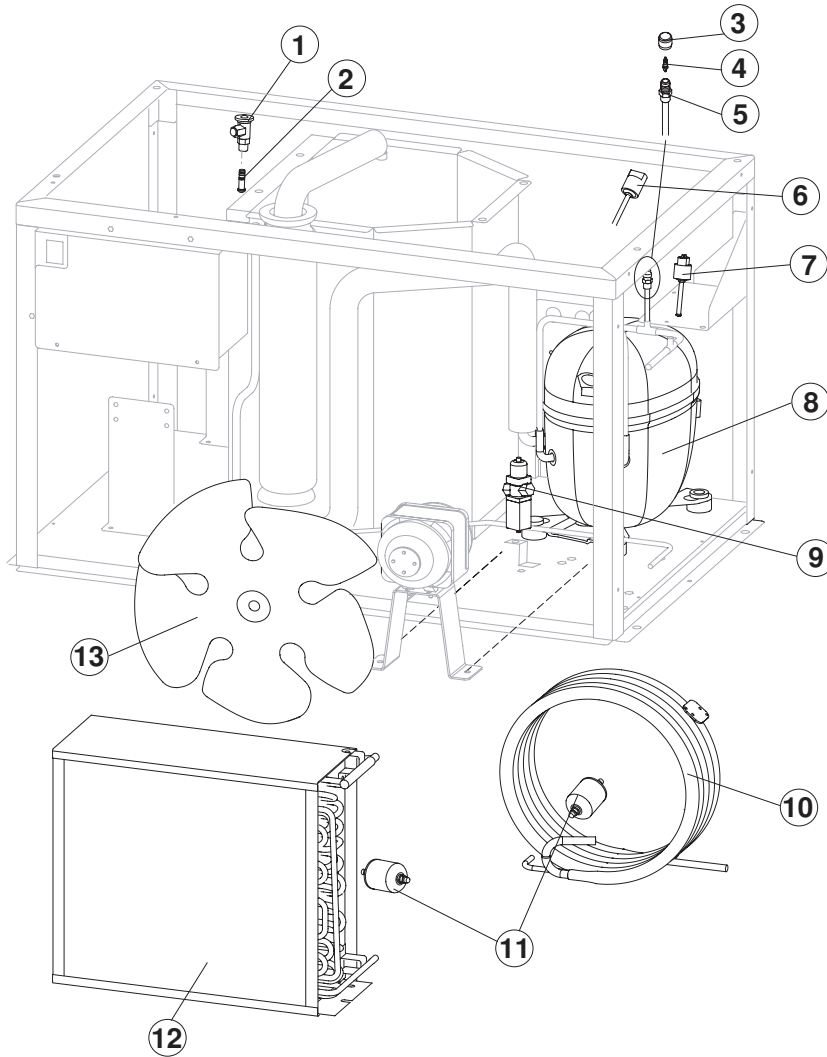
**PUMP**

**HYDRAULIC CIRCUIT**

**ELETTRIC PARTS**



| <b>Ref.</b> | <b>Spare Description</b> | <b>Code</b> |
|-------------|--------------------------|-------------|
| 1           | Top                      | 221294      |
| 2           | Rear Panel               | 221293      |
| 3           | Right Side Panel         | 221290      |
| 4           | Front Panel              | 221292      |
| 5           | Left Side Panel          | 221291      |



### Common Parts

| Ref. | Spare Description           | Code  |
|------|-----------------------------|-------|
| 1    | Expansion Valve             | 20734 |
| 2    | Orifice                     | 20943 |
| 3*   | Vacuum-Charge Valve Plug    | 14006 |
| 4*   | Vacuum-Charge Valve Device  | 14005 |
| 5    | Vacuum-Charge Valve Body    | 14007 |
| 6    | H.P. Pressure safety switch | 23960 |
| 7    | L.P. Pressure safety switch | 23909 |
| 8    | Compressor                  | 23981 |
| 11*  | Solid Core Drier            | 14084 |

### Parts for Air-Cooled version Only

| Ref. | Spare Description | Code  |
|------|-------------------|-------|
| 12   | Air Condenser     | 20924 |
| 13   | Sucking Fan       | 20407 |

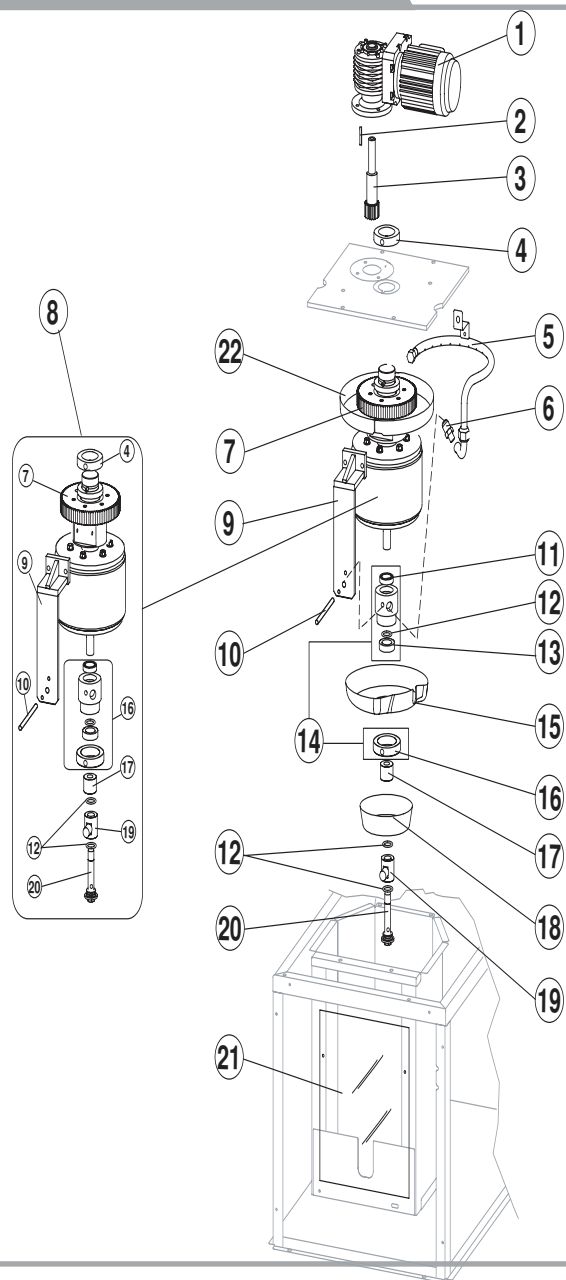
### Parts for mixed Cooled Version Only

| Ref. | Spare Description  | Code  |
|------|--------------------|-------|
| 9    | Pressostatic Valve | 20149 |
| 10   | Water Condenser    | 14034 |



# MUSTER 250

# EVAPORATOR



| Ref. | Spare Description               | Code    |
|------|---------------------------------|---------|
| 1    | Gearmotor Assy                  | C23412  |
| 2    | Key 6x6x40                      | 20350   |
| 3    | Pinion with Shaft for Gearmotor | C20344  |
| 4    | Cylinder locking Ring Nut       | 20324   |
| 5    | Sprayer Ring                    | C201008 |
| 7    | Ring Gear                       | 20354   |
| 6    | Joint                           | 20335   |
| 8    | Evaporator                      | C201009 |
| 9    | Scraper                         | 201044  |
| 10   | Tie Rod ( to Block Scraper)     | 20865   |
| 11   | Stainless Steel Upper Bearing   | 20531   |
| 12   | Guarnizione OR 4081 in Silicone | 20338   |
| 13   | Stainless Steel Upper Bearing   | 20045   |
| 14   | Complete Rotating Ring          | C10180  |
| 15   | Rotating Basin                  | 10184   |
| 16   | Ring Nut for Rotating Ring      | 10182   |
| 17   | Spacer                          | 10519   |
| 18   | Fixed Basin                     | C10598  |
| 19   | Water Inlet Ring                | 20851   |
| 20   | Screw                           | 20849   |
| 21   | Evaporator Chamber Shield       | 10523   |
| 22   | Ring Gear Cover                 | C10629  |

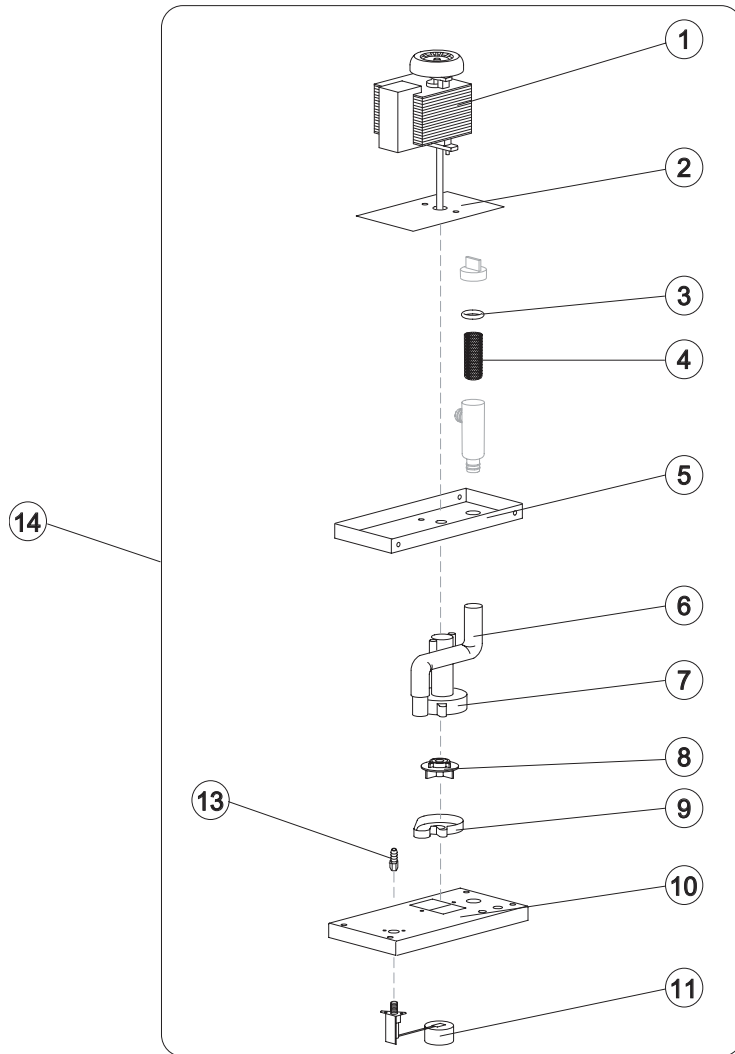


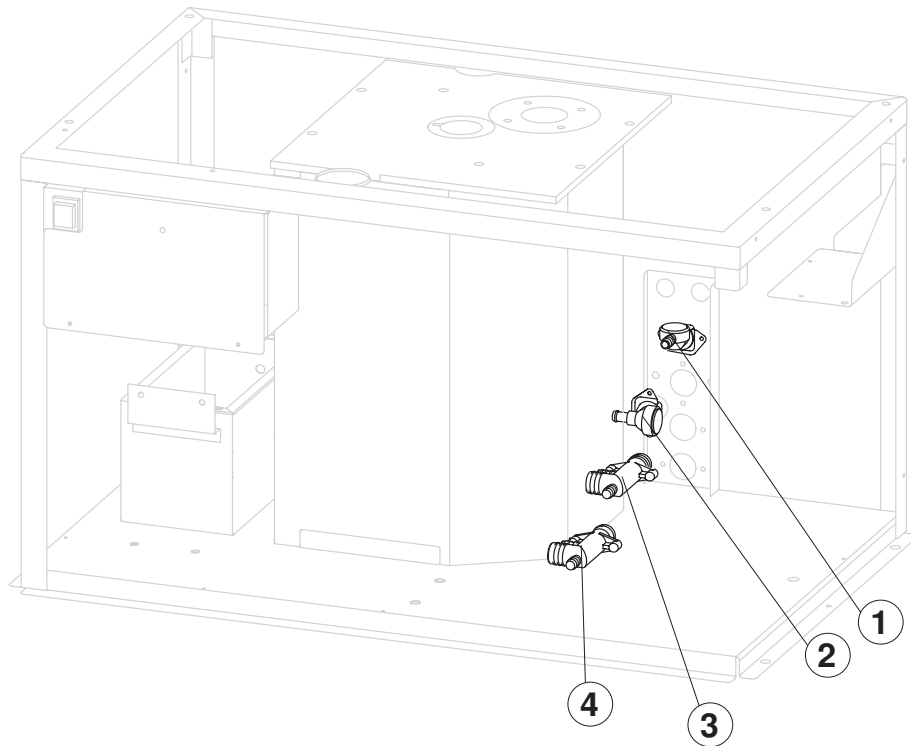
# MUSTER 250

# PUMP

| Ref. | Spare Description           | Code   |
|------|-----------------------------|--------|
| 1    | Pump                        | 23073  |
| 2    | Heat Dissipator             | 22430  |
| 3    | Pump Filter Gastek          | 13080  |
| 4    | Filtering Element           | 20254  |
| 5    | Pump Motor Support          | 10161  |
| 6    | Pump-Filter Connection Pipe | 13084  |
| 7    | Pump Body                   | 10065  |
| 8    | Pump Impeller               | 10190  |
| 9    | Diffusor                    | 10067  |
| 10   | Water Pump Basin Cover      | 22420  |
| 11*  | Floating Valve              | 10188  |
| 13   | Connection                  | 20799  |
| 14*  | Pump and Filter Assy        | C26736 |

Rev. 1 - 17/06/2013



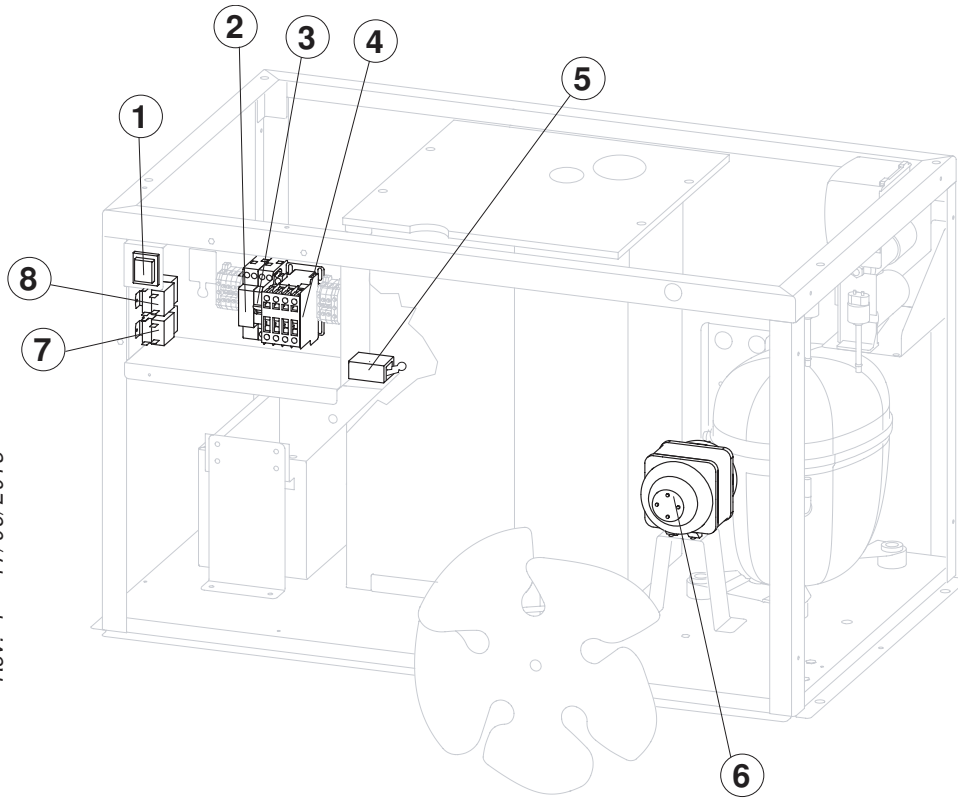


### Commons Parts

| Ref. | Spare Description  | Codie |
|------|--------------------|-------|
| 1    | Water Inlet Nipple | 10368 |
| 4    | Discharg Manifold  | 10579 |

### Parts for mixed Cooled Version Only

| Ref. | Spare Description  | Code  |
|------|--------------------|-------|
| 2    | Water Inlet Nipple | 10239 |
| 3    | Discharg Manifold  | 10580 |



Tensione

### Commons Parts

| Ref. | Spare Description              | Code   |
|------|--------------------------------|--------|
| 1*   | Swiith on-off                  | 23327  |
| 2    | Electronic Delay Timer         | 231033 |
| 3    | Thermomagnetic circuit breaker | 23910  |
| 4*   | Contactor                      | 23147  |
| 5    | Microswitch for Overflow Ice   | 23746  |
| 7*   | Bin Thermostat                 | R23421 |
| 8    | Safety Thermostat              | R23005 |

### Parts for Air-Cooled version Only

| Ref. | Spare Description | Code  |
|------|-------------------|-------|
| 6*   | Fan Motor         | 23121 |